

Sun
STOPPER
AWNINGSTM



**SUGGESTED
RETAIL PRICE LIST**
2022

MARCH 28, 2022

AWNING FABRIC SEAM WELDING SYSTEM

Used for many years in Europe, this state-of-the-art awning fabric seam joining system is now available in Canada. SunStopper™ Awnings are the first major awning manufacturer in Canada to incorporate this state-of-the-art fabric adhesive technology. All seams and hems, with the exception of the header rod seams, are bonded. The header rod seam is sewn using PTFE thread.



Stronger Seams and Hems

The bonded seams are stronger than the surrounding fabric. The fabric will rip before the seam will fail.

Proven Durability

The harsh cold of Canadian winters does not effect the seam strength.

Less Visible Seams and Hems

Without the use of thread, welded seams are almost invisible. Threads can never quite match all the colour variations in stripe fabrics, with welding this is no longer a concern.

Flatter Seams and Hems

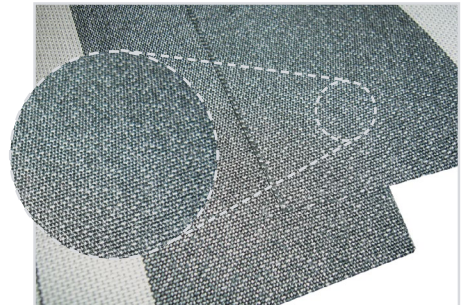
With bonded seams there is less sag created by seam thickness.

Reduced Fabric Fraying

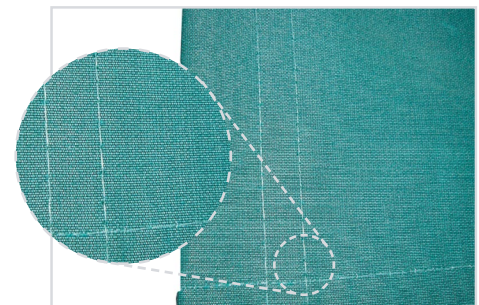
The fabric is cut using ultrasonic cutters and is further sealed during the bonding process.

Less Leakage

With bonded seams there are no holes in the fabric caused by the sewing needles.



State-of-the Art Bonded Seam



Traditional Sewn Side Hem

TABLE OF CONTENTS

	PAGE
STEIN Lateral Arm with Torsion Bar System	08-19
KUMO Lateral Arm Cassette System	20-27
ILIOS BASIC Drop Shade	28-31
ILIOS RAY Drop Shade Cassette	32-35
ILIOS WING Drop Arm Awning	36-39
ILIOS COMPONENTS	40-45
SKINS Replacement Fabrics	46-48
MOTORIZATION INFORMATION	49-55
PROTECTORS & CLEANERS	56
BRAID	57
ORDER FORMS & INSTRUCTIONS	58-61

GENERAL INFORMATION

Terms and Conditions

Prices are G.S.T. & P.S.T. & H.S.T. extra. Orders are F.O.B. nearest Jackson warehouse. Prices are subject to change without notice. Drop shipments are not normally allowed.

Orders

All orders should be submitted in writing, on the order forms provided, and delivered by mail, in person, email or by fax. A copy of the order form and this catalogue can be downloaded at www.jackson.ca.

Pricing

Pricing is based upon measurements up to the sizes shown. Measurements beyond the size shown are charged up to the next size. All prices shown in this book are suggested retail. Dealers are free to determine their own selling prices without restriction.

Quotation Requirements

Dealers may request special quotations on all standard awnings shown in this book for large orders. The minimum requirement for a special quotation is 10 awnings in the same item (i.e. all same colour, same pattern).

Special Quotation orders are excluded from the Delivery Warranty. Other conditions apply.

F/R Information

On all items marked F/R, please refer to specific flammability information. The information in these specifications refers to typical performance in the test indicated under laboratory conditions. None of this information warrants performance or guarantees results under actual use conditions.

The information is accurate to the best of our knowledge at the time of printing but is not intended to relieve the user from its responsibility to comply with all procedures applicable to the safe use of this product.

Returns & Cancellations

Sunstopper products are custom made. Returns can not be accepted. Neither changes nor cancellations are allowed on custom products once the order has been started. Dealers are encouraged to double check all information sent in.

Shipping

Goods shall be shipped via Jackson's choice of carrier unless specified otherwise at time of order.

Important Note

Sun Stopper Awnings™ are designed to offer sun protection which will enhance the enjoyment of outdoor spaces. They are not intended to be used as storm or rain protection devices. Lateral Arm awnings need to be retracted in stormy conditions to prevent damage. It is the responsibility of the installer to determine the appropriate fasteners for a particular installation. **We do not supply fasteners with any of our awning products.**

Sun Stopper Awnings™ 10 Year Limited Warranty

George N. Jackson Limited warrants to the original purchaser only, its retractable Sun Stopper Awning™ and Sunstopper Drop Shade™ frames to be free from defects in material and workmanship under normal and proper use for a period of (10) ten years commencing from the date of purchase on all awnings purchased after January 1, 2015. The standard manufacturer's warranties for fabric, motors and other optional equipment are not covered by this limited warranty. Any defects in the hardware must be reported within (10) ten years of the date of purchase accompanied with proof of purchase to an authorized Sun Stopper dealer. Under this warranty, George N. Jackson has the option to repair or replace those parts deemed defective.

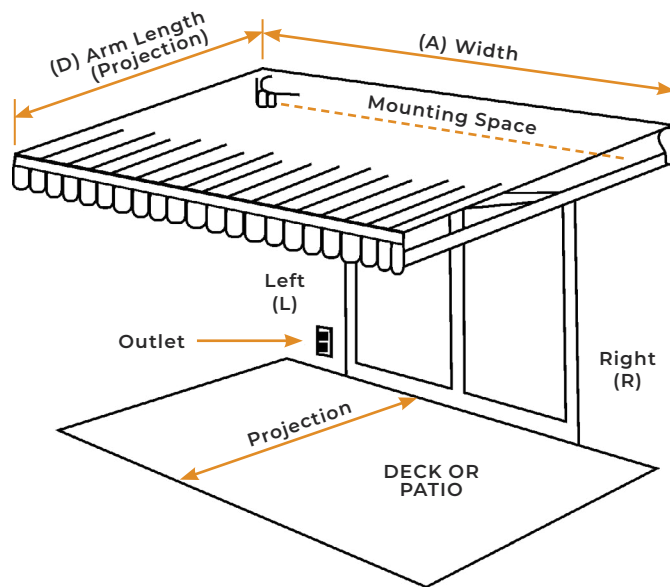
This limited warranty does not cover defects caused by improper installation, reinstallation, service, or failure to operate pitch control mechanisms correctly. George N. Jackson Limited is not responsible for normal wear and tear, damage caused by misuse, and acts of nature such as wind damage, rain build up on the fabric, snow build up on the frame or fabric, hail, fire or vandalism. Labour cost for the removal and reinstallation of any awning components are not covered by this warranty and are the responsibility of the owner. Any defective part must be returned to an authorized Sun Stopper™ dealer for return to George N. Jackson Limited. George N. Jackson Limited shall not be liable for any incidental or consequential damages, loss or injury. This warranty gives you specific legal rights, but you may also have additional rights as per provincial statutes.

Things to consider when measuring and placing an order for a SunStopper™ Lateral Arm Awning

1. **A thorough visual inspection should be performed to determine the suitability of an awning for a particular location.**
 - Check for any wires, overhangs, trees, shrubs, doors, windows, antennae, outdoor lights and protrusions that may affect the installation and operation of the awning.
 - Picture the awning fully extended. Check for any obstructions that may be present when the awning is extended to its maximum projection.

2. **Determine the side where the controls are to be, Left or Right (determine this while facing the building).**
 - Be sure there is nothing that will interfere with the operation of the crank.
 - The control side for a motorized awning should be closest to a power source.

3. **Measure the width of the area the awning is to cover.**
 - The width of the awning is the overall width of the awning from the outside of the end cap to the outside of the opposite end cap. This is called the tip to tip measurement. The fabric will be narrower than the frame.
 - If the awning is to have a hood, the hood is made to the width of the awning plus 1". This allows for proper clearance of the hood end caps oneach side of the awning.
 - If the area the awning is to cover is long and narrow, check the price list for the minimum widths.
 - Check again for any obstructions.



4. **Is the awning going to be mounted on the wall or to the soffit?**
 - Check that they are level and free of obstructions.
 - Inspect the wall or soffit to see if the brackets can be mounted directly to the wall or, is a header board required to supply the necessary strength. A 2 x 8 header board is recommended.
 - Make sure you specify the correct brackets on the order form.

HELPFUL HINTS

5. Check the height of the wall.

- Is there enough height to mount the awning in accordance with the following mounting height instructions?
- SunStopper™ awnings come with a factory pitch setting of approximately a 3" drop for every 12" of projection. Using the chart below determine the minimum mounting bracket height. This minimum provides for a 6' 10" front bar height. The minimum mounting height is the measure from the centre of the torsion bar to the floor. Changing the preset pitch setting will result in a change in the clearance at the front bar.

AWNING PROJECTION	MINIMUM MOUNTING HEIGHT	DROP OVER PROJECTION
46"	94"	12"
64"	97"	15"
84"	102"	20"
104"	108"	26"
124"	112"	30"
143"	116"	34"

- If less head room at the front bar is acceptable the awning may be mounted lower. To determine the mount height use the following formula:

$$\text{DESIRED HEIGHT OF FRONT BAR IN INCHES} + \text{DROP OVER PROJECTION} = \text{MOUNTING HEIGHT TO CENTRE OF TORSION BAR}$$

- Is there enough room between any windows or doors and the soffit or other overhang to mount the awning? It is recommended to allow at least 12" of clearance above any opening door or window when the factory pitch setting of 3" of drop for every 12" of projection is used. This allows the door or window to open without touching any part of the open awning.
- The measurements are from the highest point of the awning to the lowest when extended. When a valance is used the measurement is to the bottom of the valance. If there is not enough room then a roof mount should be considered.

6. Is the awning to be motorized?

- We recommend upgrading to the manual override system for Stein awnings. This gives the convenience of a motor with the added safety of the manual override. (The manual override is not available on the cassette motors)
- The control side for a motorized awning should be closest to a power source.
- The remote control option uses radio frequency to operate the awning from inside or outside a building. A great feature for inclement weather or late at night.

7. Should the awning have a hood or be a cassette system?

- A hood provides added protection for the fabric.
- A cassette system provides the best possible protection against the sun.

8. What length is the crank?

- The crank is easiest to operate at waist level.
- Select the crank length that will suit the awning height and the customers height.

9. Are there any special considerations for this installation?

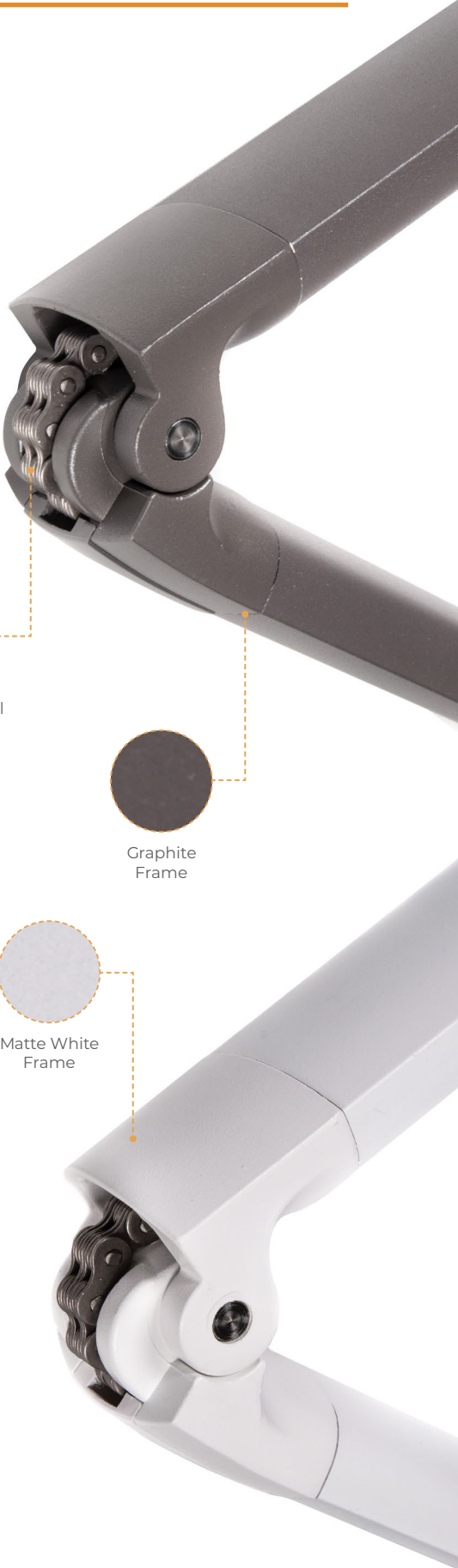
- Is this a very windy area? The Critical Measurement Chart outlines the number of brackets that will be included with the awning. For an extra secure installation, additional mounting brackets may be required.
- An automatic wind sensor can be added to motorized awnings to offer worry free protection against strong winds.
- Every installation is different. Not every possibility can be covered in this guide. Is there something else you need to consider?

10. Get a Deposit.

- It protects you against cancellations. Custom awnings are difficult to resell. Once we have started to manufacture the awning, cancellations will not be accepted.

Heavy Duty Arms

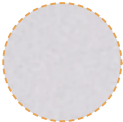
Stein and Kumo have heavy duty arms with a stainless steel triplex chain that won't stretch and brass bushings at the shoulder joint. Arms that are engineered to last.



Stainless Steel Triplex Chain



Graphite Frame



Matte White Frame

Colours

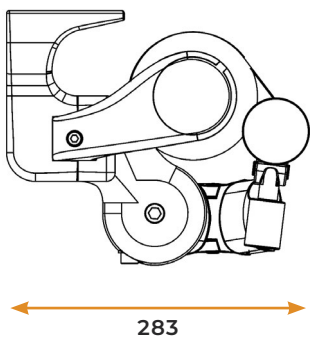
All frames available in either Matte White or Graphite.

STEIN Lateral Arm with Torsion Bar

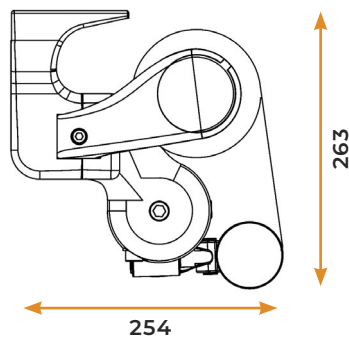


Awning dimensions with folded arms

Wall or ceiling installation (in millimeters)

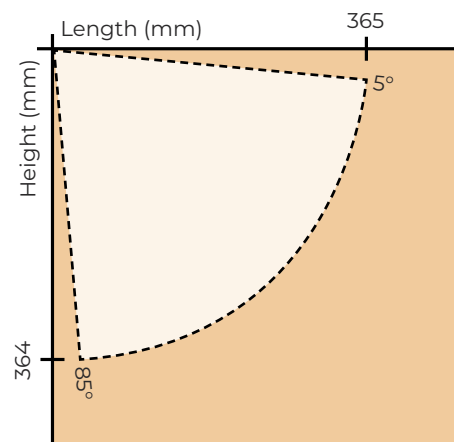


minimum inclination 5°



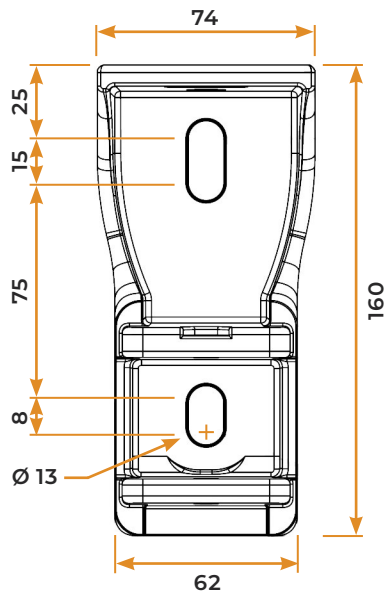
maximum inclination 85°

Arm length and inclination

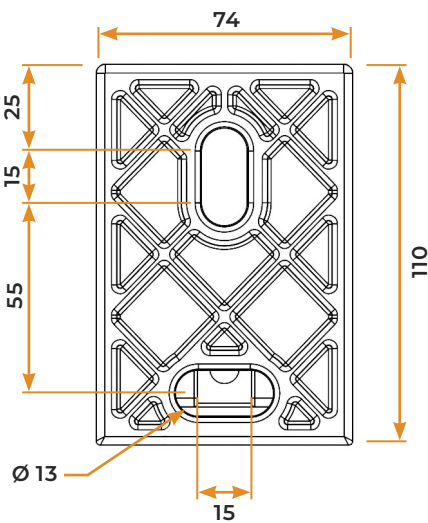


Bracket dimensions

Wall installation (in millimeters)



Ceiling installation (in millimeters)



Hood

1 piece hood is easy to install and has a gasket at the back to help protect the fabric.



Stein Frame only - Retail Price

WIDTH		1 m Arm	1.5 m Arm	2.0 m Arm	2.5 m Arm	3.0 m Arm	3.5 m Arm	HOOD	# OF PANELS	# OF ARMS	# OF BRCKTS
		PROJECTION FROM WALL (APPROX.)									
		1.15 m	1.65 m	2.15 m	2.65 m	3.15 m	3.65 m				
		46"	64"	84"	104"	124"	143"				
1.66 m	65"	2,265					539	-	2	3	
2.00 m	78"	2,355					666	-	2	3	
2.33 m	91"	2,444	2,462	2,534			748	-	2	3	
2.50 m	98"	2,489	2,507	2,579			792	-	2	3	
3.00 m	118"	2,695	2,713	2,785	2,839		959	-	2	4	
3.50 m	137"	2,829	2,847	2,919	2,973	3,045	1,083	-	2	4	
4.00 m	157"	2,963	2,981	3,053	3,107	3,179	3,377	1,206	-	2	4
5.00 m	196"	3,689	3,707	3,779	3,833	3,905	4,103	1,457	-	2	4
7.00 m	275"	4,846	4,864	4,936	4,990	5,062	5,260	2,039	-	3	6
WITH JOINS											
8.00 m	315"	5,849	5,867	5,939	5,993	6,065	6,263	2,412	-	3	8
9.00 m	354"	6,594	6,612	6,684	6,738	6,810	7,008	2,663	-	4	8
10.00 m	393"	6,896	6,914	6,986	7,040	7,112	7,310	2,915	-	4	8
MINIMUM WIDTH		63"	82"	102"	122"	142"	162"				

Stein with 46" Fabric

		1 m Arm	1.5 m Arm	2.0 m Arm	2.5 m Arm	3.0 m Arm	3.5 m Arm				
		PROJECTION FROM WALL (APPROX.)							# OF PANELS	# OF ARMS	# OF BRCKTS
		1.15 m	1.65 m	2.15 m	2.65 m	3.15 m	3.65 m	HOOD			
		46"	64"	84"	104"	124"	143"				
WIDTH	1.66 m 65"	2,628						539	2	2	3
	2.00 m 78"	2,718						666	2	2	3
	2.33 m 91"	2,807	2,883					748	2	2	3
	2.38 m 93"	2,852	2,928					792	2	2	3
	2.50 m 98"	3,017	3,122					792	3	2	3
	3.00 m 118"	3,223	3,328	3,487				959	3	2	4
	★ 3.50 m 137"	3,357	3,462	3,622	3,763			1,083	3	2	4
	3.52 m 138"	3,491	3,596	3,756	3,897			1,206	3	2	4
	★ 4.00 m 157"	3,656	3,790	3,979	4,149	4,338		1,206	4	2	4
	4.67 m 183"	4,381	4,516	4,704	4,875	5,063	5,378	1,457	4	2	4
	5.00 m 196"	4,546	4,710	4,927	5,127	5,344	5,688	1,457	5	2	4
	5.81 m 228"	5,704	5,867	6,085	6,284	6,502	6,845	2,039	5	3	6
	7.00 m 275"	5,868	6,061	6,308	6,536	6,783	7,156	2,039	6	3	6
	WITH JOINS										
	8.00 m 315"	7,036	7,258	7,534	7,791	8,067	8,469	2,412	7	3	8
8.10 m 318"	7,781	8,003	8,279	8,537	8,813	9,214	2,663	7	3	8	
9.00 m 354"	7,946	8,197	8,502	8,789	9,094	9,525	2,663	8	4	8	
9.24 m 363"	8,248	8,499	8,804	9,090	9,395	9,826	2,915	8	4	8	
10.00 m 393"	8,413	8,693	9,027	9,343	9,677	10,137	2,915	9	4	8	
MINIMUM WIDTH		63"	82"	102"	122"	142"	162"				

★ 137" wide is efficient for 3 panels of fabric (46") and is also efficient for hardware. 183" wide is efficient for 4 panels of fabric.

Stein with 54" Fabric

		1 m Arm	1.5 m Arm	2.0 m Arm	2.5 m Arm	3.0 m Arm	3.5 m Arm					
		PROJECTION FROM WALL (APPROX.)										
		1.15 m	1.65 m	2.15 m	2.65 m	3.15 m	3.65 m	HOOD	# OF PANELS	# OF ARMS	# OF BRCKTS	
		46"	64"	84"	104"	124"	143"					
WIDTH	1.66 m 65"	2,691						539	2	2	3	
	2.00 m 78"	2,781						666	2	2	3	
	2.33 m 91"	2,870	2,964					748	2	2	3	
	2.50 m 98"	2,915	3,009					792	2	2	3	
	2.74 m 107"	3,121	3,215	3,363				959	2	2	4	
	3.00 m 118"	3,318	3,450	3,635				959	3	2	4	
	3.50 m 137"	3,452	3,584	3,769	3,937			1,083	3	2	4	
	4.00 m 157"	3,586	3,718	3,903	4,071	4,257		1,206	3	2	4	
	4.14 m 163"	4,311	4,443	4,629	4,797	4,982	5,294	1,457	3	2	5	
	5.00 m 196"	4,508	4,678	4,901	5,107	5,331	5,680	1,457	4	2	5	
	5.48 m 215"	5,665	5,835	6,059	6,264	6,488	6,838	2,039	4	3	6	
	6.85 m 269"	5,862	6,070	6,331	6,575	6,836	7,224	2,039	5	3	6	
	7.00 m 275"	6,058	6,304	6,603	6,885	7,184	7,610	2,039	6	3	6	
			WITH JOINS									
	8.00 m 315"	7,258	7,541	7,879	8,198	8,535	8,999	2,412	6	3	8	
8.22 m 323"	8,003	8,287	8,624	8,943	9,281	9,744	2,663	6	4	8		
9.00 m 354"	8,200	8,521	8,896	9,254	9,629	10,130	2,663	7	4	8		
9.60 m 378"	8,501	8,822	9,198	9,555	9,930	10,432	2,915	7	4	8		
10.00 m 393"	8,698	9,057	9,470	9,865	10,279	10,818	2,915	8	4	8		
MINIMUM WIDTH		63"	82"	102"	122"	142"	162"					

STEIN Lateral Arm with Torsion Bar

Stein with 60" Fabric

WIDTH			1 m Arm	1.5 m Arm	2.0 m Arm	2.5 m Arm	3.0 m Arm	3.5 m Arm					
			PROJECTION FROM WALL (APPROX.)										
			1.15 m	1.65 m	2.15 m	2.65 m	3.15 m	3.65 m	HOOD	# OF PANELS	# OF ARMS	# OF BRCKTS	
			46"	64"	84"	104"	124"	143"					
1.66 m	65"	2,849							539	2	2	3	
2.00 m	78"	2,939							666	2	2	3	
2.33 m	91"	3,028	3,165						748	2	2	3	
2.50 m	98"	3,073	3,210	3,402					792	2	2	3	
★ 3.00 m	118"	3,279	3,416	3,608	3,781				959	2	2	4	
3.50 m	137"	3,688	3,885	4,137	4,370	4,621			1,083	3	2	4	
4.00 m	157"	4,097	4,355	4,666	4,959	5,270	5,707	1,206		3	2	4	
4.57 m	179"	4,548	4,745	4,996	5,230	5,481	5,858	1,457		3	2	4	
5.00 m	196"	4,823	5,080	5,391	5,684	5,995	6,432	1,457		4	2	4	
6.09 m	239"	5,980	6,237	6,549	6,842	7,153	7,590	2,039		4	3	6	
7.00 m	275"	6,256	6,572	6,943	7,296	7,667	8,164	2,039		5	3	6	
WITH JOINS													
7.61 m	299"	7,258	7,575	7,946	8,299	8,670	9,167	2,412		5	4	8	
8.00 m	315"	7,534	7,910	8,341	8,754	9,184	9,741	2,412		6	4	8	
9.00 m	354"	8,279	8,656	9,086	9,499	9,930	10,486	2,663		6	4	8	
9.14 m	35	8,580	8,957	9,388	9,801	10,231	10,788	2,915		6	4	8	
10.00 m	393"	8,856	9,292	9,783	10,255	10,746	11,362	2,915		7	4	8	
MINIMUM WIDTH		63"	82"	102"	122"	142"	162"						

★ 118" wide is efficient for 2 panels of fabric (60").



Stein - Motor Add On (RTS)

		1 m Arm	1.5 m Arm	2.0 m Arm	2.5 m Arm	3.0 m Arm	3.5 m Arm
		PROJECTION FROM WALL (APPROX.)					
		1.15 m	1.65 m	2.15 m	2.65 m	3.15 m	3.65 m
		46"	64"	84"	104"	124"	143"
WIDTH	1.66 m 65"	35 Nm Altus \$ 1134 CMO \$ 1364					
	2.00 m 78"	35 Nm Altus \$ 1134 CMO \$ 1364					
	2.33 m 91"	35 Nm Altus \$ 1134 CMO \$ 1364	35 Nm Altus \$ 1134 CMO \$ 1364	35 Nm Altus \$ 1134 CMO \$ 1364			
	2.50 m 98"	35 Nm Altus \$ 1134 CMO \$ 1364	35 Nm Altus \$ 1134 CMO \$ 1364	35 Nm Altus \$ 1134 CMO \$ 1364			
	3.00 m 118"	35 Nm Altus \$ 1134 CMO \$ 1364	35 Nm Altus \$ 1134 CMO \$ 1364	35 Nm Altus \$ 1134 CMO \$ 1364	35 Nm Altus \$ 1134 CMO \$ 1364		
	3.50 m 137"	35 Nm Altus \$ 1134 CMO \$ 1364	35 Nm Altus \$ 1134 CMO \$ 1364	35 Nm Altus \$ 1134 CMO \$ 1364	35 Nm Altus \$ 1134 CMO \$ 1364	35 Nm Altus \$ 1134 CMO \$ 1364	
	4.00 m 157"	35 Nm Altus \$ 1134 CMO \$ 1364	35 Nm Altus \$ 1134 CMO \$ 1364	35 Nm Altus \$ 1134 CMO \$ 1364	35 Nm Altus \$ 1134 CMO \$ 1364	50 Nm Altus \$ 1242 CMO \$ 1450	50 Nm Altus \$ 1242 CMO \$ 1450
	5.00 m 196"	35 Nm Altus \$ 1134 CMO \$ 1364	35 Nm Altus \$ 1134 CMO \$ 1364	50 Nm Altus \$ 1242 CMO \$ 1450	50 Nm Altus \$ 1242 CMO \$ 1450	50 Nm Altus \$ 1242 CMO \$ 1450	50 Nm Altus \$ 1242 CMO \$ 1450
	7.00 m 275"	50 Nm Altus \$ 1242 CMO \$ 1450	50 Nm Altus \$ 1242 CMO \$ 1450	50 Nm Altus \$ 1242 CMO \$ 1450	50 Nm Altus \$ 1242 CMO \$ 1450	50 Nm Altus \$ 1242 CMO \$ 1450	50 Nm Altus \$ 1242 CMO \$ 1450
	WITH JOINS						
8.00 m 315"	50 Nm Altus \$ 1242 CMO \$ 1450	50 Nm Altus \$ 1242 CMO \$ 1450	50 Nm Altus \$ 1242 CMO \$ 1450	50 Nm Altus \$ 1242 CMO \$ 1450	50 Nm Altus \$ 1242 CMO \$ 1450	50 Nm Altus \$ 1242 CMO \$ 1450	
9.00 m 354"	50 Nm Altus \$ 1242 CMO \$ 1450	50 Nm Altus \$ 1242 CMO \$ 1450	50 Nm Altus \$ 1242 CMO \$ 1450	50 Nm Altus \$ 1242 CMO \$ 1450	50 Nm Altus \$ 1242 CMO \$ 1450	50 Nm Altus \$ 1242 CMO \$ 1450	
10.00 m 393"	50 Nm Altus \$ 1242 CMO \$ 1450	50 Nm Altus \$ 1242 CMO \$ 1450	50 Nm Altus \$ 1242 CMO \$ 1450	50 Nm Altus \$ 1242 CMO \$ 1450	50 Nm Altus \$ 1242 CMO \$ 1450	50 Nm Altus \$ 1242 CMO \$ 1450	

REMOTES



Telis 1 or Situ0
\$ 129



Telis 4 or Situ0 5
\$ 166



Patio 1
\$ 151



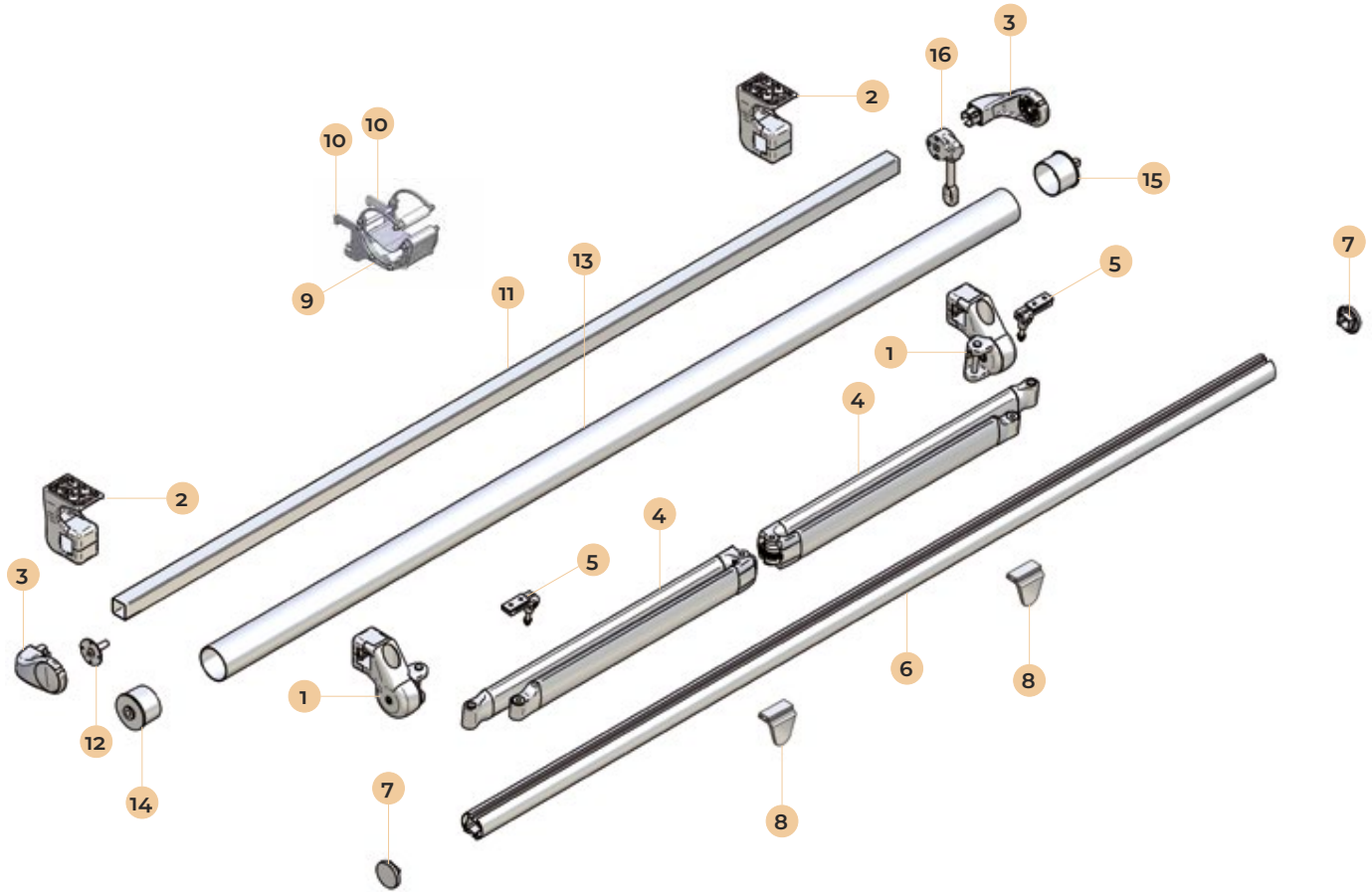
Patio 4
\$ 194


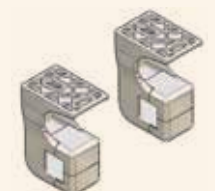




Wind/Motion Sensor
\$ 291

NOTE: Prices apply when ordered with an Awning. Altus is the regular motor. CMO is the Manual Override motor. Both use RTS technology. Price includes RTS motor, adapters, brackets, crowns, drives, and plug-in cables up to 24'. RTS Controllers sold separately. See motor section for extra parts.

STEIN Lateral Arm with Torsion Bar









PARTS	DESCRIPTION	PRODUCT #	SINGLE KIT PRICE	FULL BOX PRICE	UNIT	UNIT PER BOX
	Arm Support Kit	9220KSBR001	-	-	1 pair	6
	Wall/Ceiling Bracket	9220STBQ001	-	-	1 pair	10



PARTS	DESCRIPTION	PRODUCT #	SINGLE KIT PRICE	FULL BOX PRICE	UNIT	UNIT PER BOX
3 	Blind Roller Support	9210KSAV001	-	-	1 pair	15
	End Caps Only	8210CUFF001	-	-	1 each	
4 	100 cm	9110BHCS100	-	-	1 pair	1
	150 cm	9110BHCS150	-	-		
	200 cm	9110BHCS200	-	-		
	250 cm	9110BHCS250	-	-		
	300 cm	9110BHCS300	-	-		
	350 cm	9110BHCS350	-	-		
5 	Arm/Terminal Bar Connection - High	9100ATTE001	-	-	1 pair	25
6 	3 m	9900TERH300	-	-	1 piece	8
	3.5 m	9900TERH350	-	-		
	4 m	9900TERH400	-	-		
	5 m	9900TERH500	-	-		
	7 m	9900TERH700	-	-		
7 	Terminal Bar End Covers	9210KTAT001	-	-	1 pair	25
8 	Arm Stoppers	9100RACB001PCAT	-	-	1 pair	25

STEIN Lateral Arm with Torsion Bar

PARTS	DESCRIPTION	PRODUCT #	SINGLE KIT PRICE	FULL BOX PRICE	UNIT	UNIT PER BOX
	Balance Support	8210CORU001	-	-	1 piece	9
	Hook Balance Support	8220KISC001	-	-	1 pair	9
	3 m	9999BQ40300	-	-	1 piece	12
	3.5 m	9999BQ40350	-	-		
	4 m	9999BQ40400	-	-		
	5 m	9999BQ40500	-	-		
	7 m	9999BQ40700	-	-		
	Plate with Pin	9999PIAS002	-	-	1 piece	125
	3 m	9999TUB8300	-	-	1 piece	36
	3.5 m	9999TUB8350	-	-		
	4 m	9999TUB8400	-	-		
	5 m	9999TUB8500	-	-		
	7 m	9999TUB8700	-	-		
	Cap with Hole D14 Ø 80 mm	9999CAL8FOR	-	-	1 piece	100

PARTS	DESCRIPTION	PRODUCT #	SINGLE KIT PRICE	FULL BOX PRICE	UNIT	UNIT PER BOX
	Cap with Square Pin □13 x 30 mm - Ø 80 mm	9999CAL8Q30	-	-	1 piece	100
	Reduction Winch 11:1	9999ARGA111	-	-	1 piece	25
	Crank Rod	150 cm 180 cm 200 cm	9999ASTM150 9999ASTM180 9999ASTM200	- - -	- - -	1 piece 10
	Screw Kit	Winch Motor Plate	9999KVAR001 9999KVP1001	- -	- -	1 kit 1 kit 50
	Protection Hood	3 m 3.5 m 4.1 m 5.1 m 7.1 m	9999TEBQ300 9999TEBQ350 9999TEBQ400 9999TEBQ500 9999TEBQ700	- - - - -	- - - - -	1 piece 1
	Bracket for Hood		9999STTE002	-	-	1 piece 10

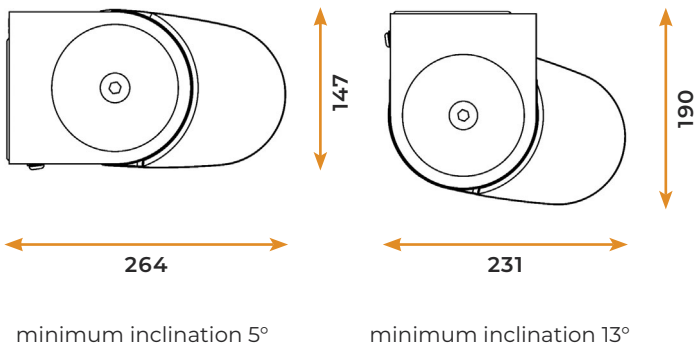
STEIN Lateral Arm with Torsion Bar

PARTS	DESCRIPTION	PRODUCT #	SINGLE KIT PRICE	FULL BOX PRICE	UNIT	UNIT PER BOX
	End Covers for Hood	9999TPTE002	-	-	1 pair	25
	Wall z for Hood	9999GUTE001	-	-	1 meter	50
	Blind Roller Junction Ø 80 mm	9999GIU8001	-	-	1 piece	1
	Square Bar Junction	9999GIUB001	-	-	1 piece	1
	Terminal Bar Junction	9999GIUT001	-	-	1 piece	1



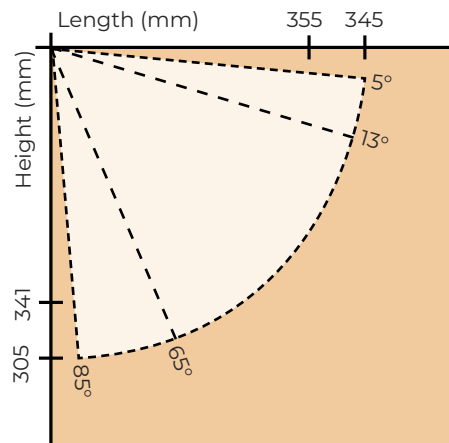
Awning dimensions with folded arms

Wall and Ceiling installation (in millimeters)

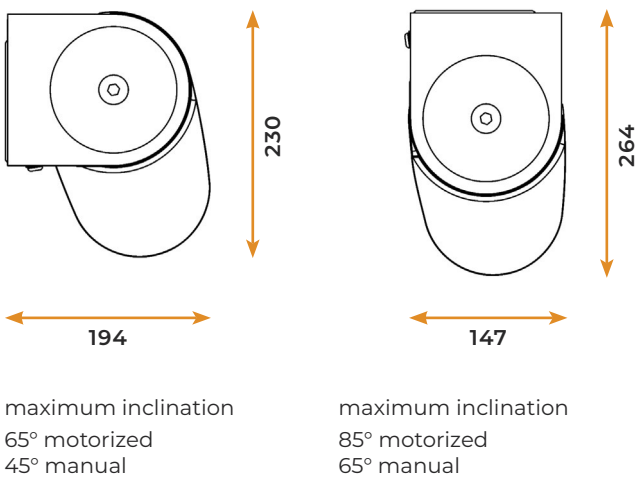


Arm length and inclination

65° is the maximum inclination for manual operation.
85° is the maximum inclination for motorized.

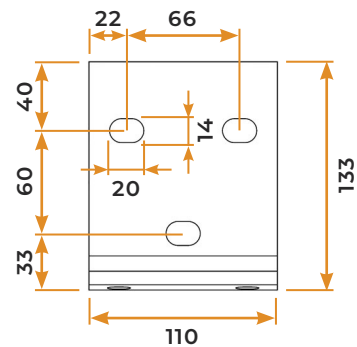


Wall and Ceiling installation (in millimeters)

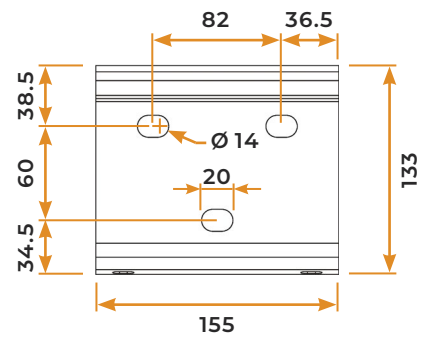


Bracket dimensions

Wall or ceiling installation (in millimeters)



Wall or ceiling installation with Hilti System (in millimeters)



Kumo Frame only - Retail Price

		1 m Arm	1.5 m Arm	2.0 m Arm	2.5 m Arm	3.0 m Arm			
		PROJECTION FROM WALL (APPROX.)							
		1.15 m	1.65 m	2.15 m	2.65 m	3.15 m	# OF PANELS	# OF ARMS	
		46"	64"	84"	104"	124"			
WIDTH	1.66 m	65"	3,265				-	2	
	2.00 m	78"	3,301	3,322			-	2	
	2.50 m	98"	3,898	3,918	4,001		-	2	
	3.00 m	118"	3,963	3,983	4,066	4,129	-	2	
	4.00 m	157"	4,603	4,624	4,707	4,769	4,852	-	2
	5.00 m	196"	6,252	6,273	6,356	6,418	6,502	-	2 S
	6.00 m	236"	6,390	6,410	6,493	6,556	6,639	-	2 S
MINIMUM WIDTH		55"	75"	94"	114"	134"			

Kumo with 46" Fabric

		1 m Arm	1.5 m Arm	2.0 m Arm	2.5 m Arm	3.0 m Arm			
		PROJECTION FROM WALL (APPROX.)							
		1.15 m	1.65 m	2.15 m	2.65 m	3.15 m	# OF PANELS	# OF ARMS	
		46"	64"	84"	104"	124"			
WIDTH	1.66 m	65"	3,442				2	2	
	2.00 m	78"	3,478	3,499			2	2	
	2.38 m	93"	4,074	4,095			2	2	
	2.50 m	98"	4,144	4,164	4,248		3	2	
	3.00 m	118"	4,209	4,230	4,313	4,375	3	2	
	3.52 m	138"	4,849	4,870	4,953	5,015	5,098	3	2
	4.00 m	157"	4,918	4,939	5,022	5,085	5,168	4	2
	4.67 m	183"	6,568	6,588	6,672	6,734	6,817	4	2
	5.00 m	196"	6,637	6,658	6,741	6,803	6,886	5	2
	5.81 m	228"	6,774	6,795	6,878	6,940	7,023	5	2 S
	6.00 m	236"	6,843	6,864	6,947	7,010	7,093	6	2 S
MINIMUM WIDTH		55"	75"	94"	114"	134"			

S Special Arm

Kumo with 54" Fabric

		1 m Arm	1.5 m Arm	2.0 m Arm	2.5 m Arm	3.0 m Arm		
		PROJECTION FROM WALL (APPROX.)						
		1.15 m	1.65 m	2.15 m	2.65 m	3.15 m	# OF PANELS	# OF ARMS
		46"	64"	84"	104"	124"		
WIDTH	1.66 m 65"	3,669					2	2
	2.00 m 78"	3,706	3,814				2	2
	2.38 m 93"	4,302	4,410				2	2
	2.50 m 98"	4,302	4,410	4,581			2	2
	3.00 m 118"	4,550	4,702	4,916	5,110		3	2
	3.52 m 138"	5,190	5,342	5,557	5,750	5,965	3	2
	4.00 m 157"	5,190	5,342	5,557	5,750	5,965	3	2
	4.67 m 183"	7,023	7,218	7,477	7,714	7,972	4	2
	5.00 m 196"	7,023	7,218	7,477	7,714	7,972	4	2
	5.81 m 228"	7,343	7,582	7,884	8,165	8,467	5	2 S
	6.00 m 236"	7,343	7,582	7,884	8,165	8,467	5	2 S
MINIMUM WIDTH		55"	75"	94"	114"	134"		

Kumo with 60" Fabric

		1 m Arm	1.5 m Arm	2.0 m Arm	2.5 m Arm	3.0 m Arm			
		PROJECTION FROM WALL (APPROX.)							
		1.15 m	1.65 m	2.15 m	2.65 m	3.15 m	# OF PANELS	# OF ARMS	
		46"	64"	84"	104"	124"			
WIDTH	1.66 m 65"	3,800					2	2	
	2.00 m 78"	3,837	3,996				2	2	
	2.50 m 98"	4,433	4,592	4,813			2	2	
	3.00 m 118"	4,498	4,657	4,878	5,078		2	2	
	4.00 m 157"	5,387	5,615	5,905	6,174	6,464	3	2	
	4.57 m 179"	7,036	7,264	7,554	7,823	8,113	3	2	
	5.00 m 196"	7,285	7,582	7,941	8,279	8,638	4	2 S	
	6.00 m 236"	7,422	7,719	8,078	8,416	8,775	4	2 S	
	MINIMUM WIDTH		55"	75"	94"	114"	134"		

S Special Arm



Kumo - Motor Add On (RTS)

		1 m Arm	1.5 m Arm	2.0 m Arm	2.5 m Arm	3.0 m Arm
		PROJECTION FROM WALL (APPROX.)				
		1.15 m	1.65 m	2.15 m	2.65 m	3.15 m
		46"	64"	84"	104"	124"
WIDTH	1.66 m	35 Nm Altus \$ 1134				
	2.00 m	35 Nm Altus \$ 1134				
	2.33 m	35 Nm Altus \$ 1134	35 Nm Altus \$ 1134	35 Nm Altus \$ 1134		
	2.50 m	35 Nm Altus \$ 1134	35 Nm Altus \$ 1134	35 Nm Altus \$ 1134		
	3.00 m	35 Nm Altus \$ 1134	35 Nm Altus \$ 1134	35 Nm Altus \$ 1134	35 Nm Altus \$ 1134	
	3.50 m	35 Nm Altus \$ 1134	35 Nm Altus \$ 1134	35 Nm Altus \$ 1134	35 Nm Altus \$ 1134	35 Nm Altus \$ 1134
	4.00 m	35 Nm Altus \$ 1134	35 Nm Altus \$ 1134	35 Nm Altus \$ 1134	35 Nm Altus \$ 1134	50 Nm Altus \$ 1242
	5.00 m	35 Nm Altus \$ 1134	35 Nm Altus \$ 1134	50 Nm Altus \$ 1242	50 Nm Altus \$ 1242	50 Nm Altus \$ 1242
	6.00 m	50 Nm Altus \$ 1242	50 Nm Altus \$ 1242	50 Nm Altus \$ 1242	50 Nm Altus \$ 1242	50 Nm Altus \$ 1242

NOTE: CMO Motors are not available for Kumo.

REMOTES



Telis 1 or Situ
\$ 129



Telis 4 or Situ 5
\$ 166



Patio 1
\$ 151

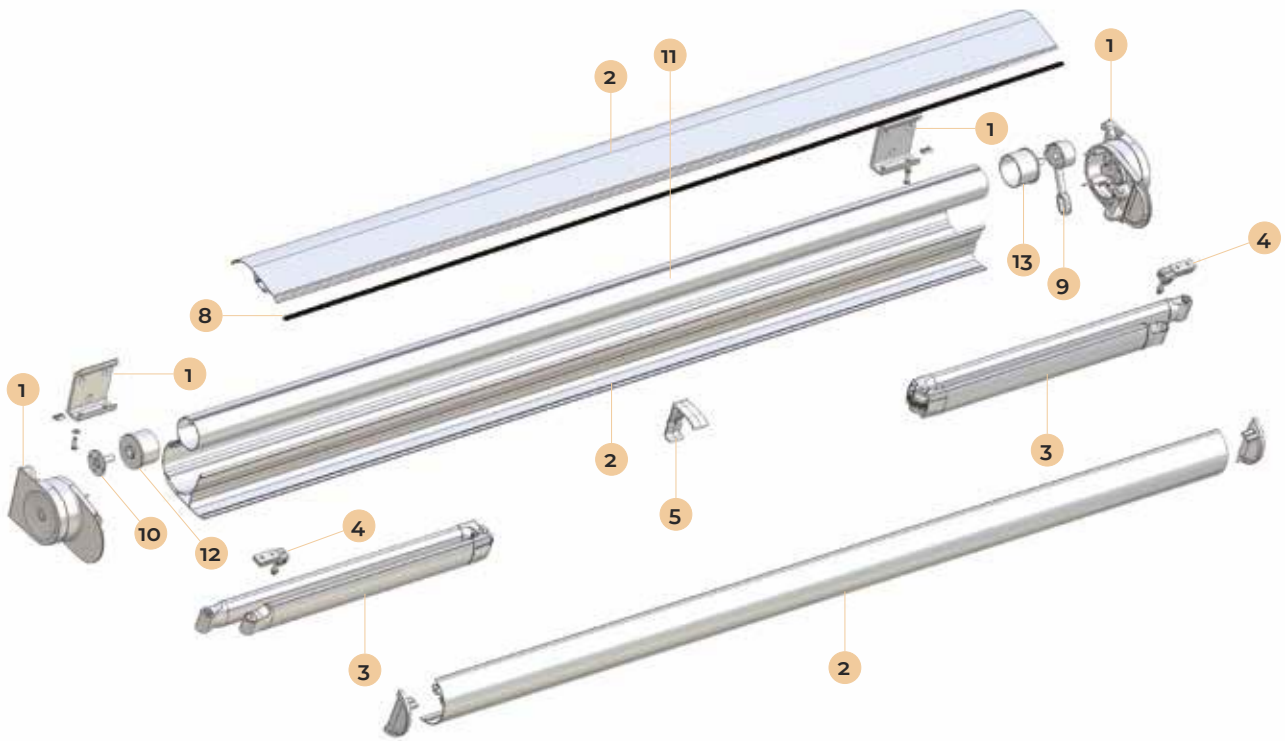


Patio 4
\$ 194









Wind/Motion Sensor
\$ 291

NOTE: Prices apply when ordered with an Awning. Altus with RTS Technology is the standard for Kumo. Price includes RTS motor, adapters, brackets, crowns, drives, and plug-in cables up to 24'. RTS Controllers sold separately. See motor section for extra parts.



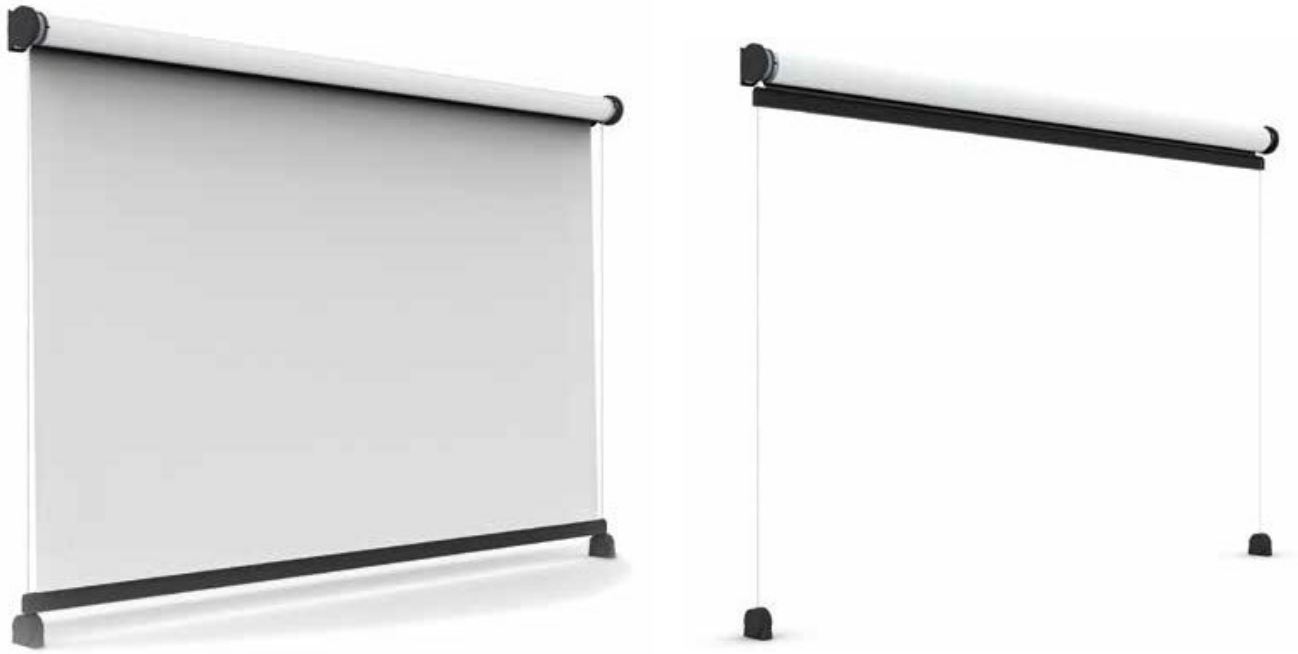
PARTS	DESCRIPTION	PRODUCT #	SINGLE KIT PRICE	FULL BOX PRICE	UNIT	UNIT PER BOX		
	Arm Support Kit	9410KSBR001	-	-	1 pair	4		
	End Caps Only	Right Left	2410TPTDS01 2410TPTSS01	- -	1 each 1 each			
		Cassette Profile Kit	9410KPKU300 9410KPKU400 9410KPKU500 9410KPKU600	- - - -	- - - -	1 piece	9	
		Arms with DAT System - Home	100 cm 150 cm 200 cm 250 cm 300 cm	9110BHCS100 9110BHCS150 9110BHCS200 9110BHCS250 9110BHCS300	- - - - -	- - - - -	1 pair	1
		Arms with DAT System - Home (Special for wide)	250 cm 300 cm	9110BHCS251 9110BHCS301	- -	- -	- -	- -

PARTS	DESCRIPTION	PRODUCT #	SINGLE KIT PRICE	FULL BOX PRICE	UNIT	UNIT PER BOX
	Arm/Terminal Bar Connection - Low	9100ATTE002	-	-	1 pair	25
	Support Convoyer	2410CONVS01PCAT	-	-	1 piece	25
	Regular Bracket	7410STES001	-	-	1 pair	1
	Large Bracket for installation with insulating systems - Hilti system	9410STES002	-	-	1 pair	1
	Brush for Cassette	9999SPAZ001	-	-	1 meter	375
	Reduction Winch 11:1	9999ARGA111	-	-	1 piece	25

PARTS	DESCRIPTION	PRODUCT #	SINGLE KIT PRICE	FULL BOX PRICE	UNIT	UNIT PER BOX
10	 Plate with Pin	9999PIAS002	-	-	1 piece	125
11	 Blind Roller 10/10 Ø 80 mm	3 m 9999TUB8300 3,5 m 9999TUB8350 4 m 9999TUB8400 5 m 9999TUB8500 7 m 9999TUB8700	- - - - -	- - - - -	1 piece	36
12	 Cap with Hole D14 Ø 80 mm	9999CAL8FOR	-	-	1 piece	100
13	 Cap with Square Pin □13 x 30 mm - Ø 80 mm	9999CAL8Q30	-	-	1 piece	100
14	 Crank Rod	150 cm 9999ASTM150 180 cm 9999ASTM180 200 cm 9999ASTM200	- - -	- - -	1 piece	10
15	 Screw Kit	Winch 9999KVAR002 Motor Plate 9999KVPI002	- - -	- - -	1 kit 1 kit	50

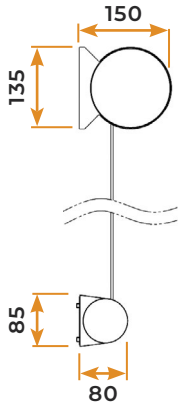
NOTES

ILIOS BASIC Drop Shade



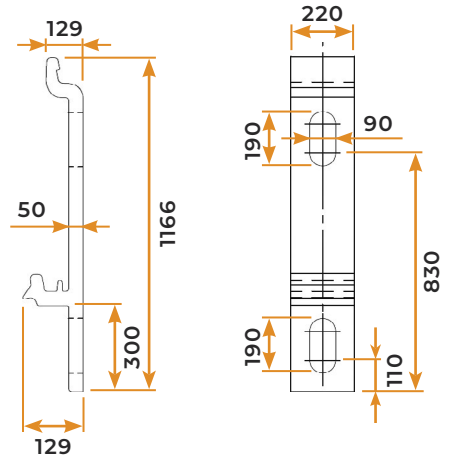
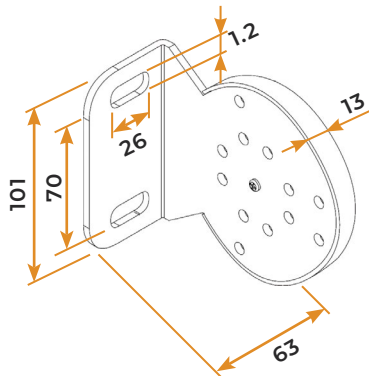
Overall Dimensions

Wall or ceiling installation (in millimeters)



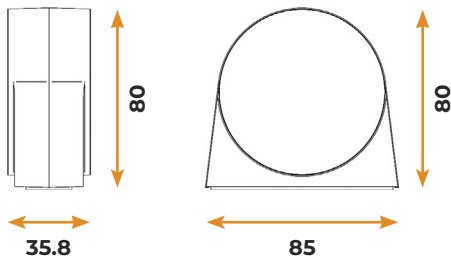
Bracket Dimensions

Wall or ceiling installation (in millimeters)

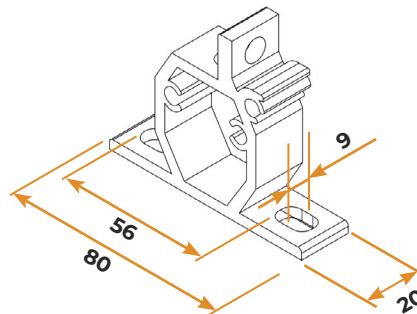


Foot Kit Dimensions

Foot Cover (in millimeters)



Anchoring Bracket (in millimeters)



Ilios Basic Frame only - Retail Price

		0.50 m	1.00 m	1.25 m	1.50 m	1.75 m	2.00 m	2.25 m	2.50 m	2.75 m	3.00 m	3.25 m	3.50 m	3.75 m	4.00 m	4.25 m	4.50 m
		19"	39"	49"	59"	68"	78"	88"	98"	108"	118"	127"	137"	147"	157"	167"	177"
WIDTH	0.50 m 19"	518	526	531	535	539	543	547	551	558	565	572	580	587	594	601	609
	1.00 m 39"	597	605	609	613	617	621	625	629	636	643	651	658	665	672	680	687
	1.20 m 47"	643	651	655	659	663	667	671	675	682	690	697	704	711	719	726	733
	1.50 m 59"	684	692	696	700	704	708	712	716	724	731	738	745	753	760	767	774
	1.67 m 65"	711	719	723	727	731	735	739	743	751	758	765	773	780	787	794	802
	2.00 m 78"	753	761	765	769	773	777	781	785	793	800	807	814	822	829	836	843
	2.33 m 91"	843	851	855	859	863	867	871	875	882	890	897	904	911	919	926	933
	2.40 m 94"	855	863	867	871	875	880	884	888	895	902	909	917	924	931	938	946
	2.50 m 98"	856	864	868	872	877	881	885	889	896	903	910	918	925	932	939	947
	3.00 m 118"	944	952	956	960	964	968	972	976	984	991	998	1,005	1,013	1,020	1,027	1,034
	3.50 m 137"	1,122	1,130	1,134	1,138	1,142	1,146	1,150	1,154	1,162	1,169	1,176	1,183	1,191	1,198	1,205	1,212
	4.00 m 157"	1,170	1,178	1,182	1,186	1,190	1,194	1,198	1,202	1,209	1,217	1,224	1,231	1,238	1,246	1,253	1,260
	4.50 m 177"	1,296	1,304	1,308	1,312	1,317	1,321	1,325	1,329	1,336	1,343	1,350	1,358	1,365	1,372	1,379	1,387
5.00 m 196"	1,302	1,310	1,314	1,318	1,322	1,326	1,330	1,334	1,341	1,348	1,356	1,363	1,370	1,377	1,385	1,392	

Ilios Basic with 46" Fabric

		0.50 m	1.00 m	1.25 m	1.50 m	1.75 m	2.00 m	2.25 m	2.50 m	2.75 m	3.00 m	3.25 m	3.50 m	3.75 m	4.00 m	4.25 m	4.50 m
		19"	39"	49"	59"	68"	78"	88"	98"	108"	118"	127"	137"	147"	157"	167"	177"
WIDTH	0.50 m 19"	647	684	702	720	738	756	774	792	814	835	856	878	899	920	942	963
	1.00 m 39"	726	762	780	798	816	834	852	871	892	913	935	956	977	999	1,020	1,041
	1.20 m 47"	772	808	826	844	862	881	899	917	938	960	981	1,002	1,024	1,045	1,066	1,088
	1.50 m 59"	916	981	1,013	1,045	1,077	1,109	1,142	1,174	1,209	1,245	1,280	1,316	1,351	1,387	1,422	1,457
	1.67 m 65"	943	1,008	1,040	1,072	1,104	1,137	1,169	1,201	1,236	1,272	1,307	1,343	1,378	1,414	1,449	1,484
	2.00 m 78"	985	1,050	1,082	1,114	1,146	1,178	1,211	1,243	1,278	1,314	1,349	1,385	1,420	1,455	1,491	1,526
	2.33 m 91"	1,075	1,139	1,171	1,204	1,236	1,268	1,300	1,333	1,368	1,403	1,439	1,474	1,510	1,545	1,581	1,616
	2.40 m 94"	1,087	1,152	1,184	1,216	1,248	1,281	1,313	1,345	1,381	1,416	1,451	1,487	1,522	1,558	1,593	1,629
	2.50 m 98"	1,192	1,284	1,330	1,377	1,423	1,469	1,516	1,562	1,612	1,661	1,711	1,760	1,810	1,859	1,909	1,958
	3.00 m 118"	1,279	1,372	1,418	1,465	1,511	1,557	1,603	1,650	1,699	1,749	1,798	1,848	1,897	1,947	1,996	2,046
	3.50 m 137"	1,457	1,550	1,596	1,642	1,689	1,735	1,781	1,828	1,877	1,927	1,976	2,026	2,075	2,125	2,174	2,224
	4.00 m 157"	1,608	1,729	1,789	1,850	1,910	1,971	2,031	2,091	2,155	2,219	2,282	2,346	2,409	2,473	2,537	2,600
	4.50 m 177"	1,735	1,856	1,916	1,976	2,037	2,097	2,157	2,218	2,281	2,345	2,409	2,472	2,536	2,600	2,663	2,727
5.00 m 196"	1,843	1,992	2,066	2,141	2,215	2,290	2,364	2,439	2,517	2,594	2,672	2,750	2,827	2,905	2,983	3,060	

Ilios Basic with 54" Fabric

		0.50 m	1.00 m	1.25 m	1.50 m	1.75 m	2.00 m	2.25 m	2.50 m	2.75 m	3.00 m	3.25 m	3.50 m	3.75 m	4.00 m	4.25 m	4.50 m
		19"	39"	49"	59"	68"	78"	88"	98"	108"	118"	127"	137"	147"	157"	167"	177"
WIDTH	0.50 m 19"	661	706	728	751	773	795	818	840	866	891	917	942	968	994	1,019	1,045
	1.00 m 39"	739	784	806	829	851	874	896	918	944	969	995	1,021	1,046	1,072	1,097	1,123
	1.20 m 47"	786	830	853	875	897	920	942	965	990	1,016	1,041	1,067	1,093	1,118	1,144	1,169
	1.50 m 59"	943	1,025	1,066	1,106	1,147	1,188	1,229	1,269	1,313	1,357	1,401	1,445	1,489	1,533	1,577	1,621
	1.67 m 65"	971	1,052	1,093	1,133	1,174	1,215	1,256	1,296	1,340	1,384	1,428	1,472	1,516	1,560	1,604	1,648
	2.00 m 78"	1,012	1,094	1,135	1,175	1,216	1,257	1,298	1,338	1,382	1,426	1,470	1,514	1,558	1,602	1,646	1,690
	2.33 m 91"	1,102	1,184	1,224	1,265	1,306	1,346	1,387	1,428	1,472	1,516	1,560	1,604	1,648	1,692	1,736	1,780
	2.40 m 94"	1,115	1,196	1,237	1,278	1,318	1,359	1,400	1,440	1,484	1,528	1,572	1,616	1,660	1,704	1,748	1,792
	2.50 m 98"	1,116	1,197	1,238	1,279	1,319	1,360	1,401	1,442	1,485	1,529	1,573	1,617	1,661	1,705	1,749	1,793
	3.00 m 118"	1,320	1,438	1,497	1,557	1,616	1,675	1,734	1,793	1,855	1,917	1,980	2,042	2,104	2,167	2,229	2,291
	3.50 m 137"	1,498	1,616	1,675	1,734	1,794	1,853	1,912	1,971	2,033	2,095	2,158	2,220	2,282	2,345	2,407	2,469
	4.00 m 157"	1,546	1,664	1,723	1,782	1,841	1,900	1,959	2,019	2,081	2,143	2,205	2,268	2,330	2,392	2,455	2,517
	4.50 m 177"	1,789	1,944	2,022	2,099	2,176	2,254	2,331	2,409	2,489	2,570	2,651	2,731	2,812	2,892	2,973	3,054
	5.00 m 196"	1,911	2,103	2,198	2,294	2,390	2,486	2,582	2,677	2,776	2,875	2,974	3,073	3,172	3,271	3,370	3,469

Ilios Basic with 60" Fabric

		0.50 m	1.00 m	1.25 m	1.50 m	1.75 m	2.00 m	2.25 m	2.50 m	2.75 m	3.00 m	3.25 m	3.50 m	3.75 m	4.00 m	4.25 m	4.50 m
		19"	39"	49"	59"	68"	78"	88"	98"	108"	118"	127"	137"	147"	157"	167"	177"
WIDTH	0.50 m 19"	695	761	794	827	860	893	926	959	995	1,031	1,067	1,103	1,139	1,176	1,212	1,248
	1.00 m 39"	773	839	872	905	938	971	1,004	1,037	1,073	1,109	1,145	1,182	1,218	1,254	1,290	1,326
	1.20 m 47"	819	885	918	951	984	1,017	1,050	1,083	1,119	1,155	1,192	1,228	1,264	1,300	1,336	1,373
	1.50 m 59"	861	926	959	992	1,025	1,058	1,091	1,124	1,160	1,197	1,233	1,269	1,305	1,341	1,378	1,414
	1.67 m 65"	1,038	1,162	1,224	1,286	1,348	1,410	1,471	1,533	1,598	1,664	1,729	1,794	1,859	1,924	1,989	2,054
	2.00 m 78"	1,080	1,204	1,266	1,328	1,390	1,451	1,513	1,575	1,640	1,705	1,771	1,836	1,901	1,966	2,031	2,096
	2.33 m 91"	1,170	1,294	1,355	1,417	1,479	1,541	1,603	1,665	1,730	1,795	1,860	1,925	1,990	2,056	2,121	2,186
	2.40 m 94"	1,182	1,306	1,368	1,430	1,492	1,554	1,616	1,677	1,743	1,808	1,873	1,938	2,003	2,068	2,133	2,198
	2.50 m 98"	1,183	1,307	1,369	1,431	1,493	1,555	1,617	1,679	1,744	1,809	1,874	1,939	2,004	2,069	2,134	2,199
	3.00 m 118"	1,271	1,395	1,457	1,519	1,581	1,643	1,704	1,766	1,831	1,897	1,962	2,027	2,092	2,157	2,222	2,287
	3.50 m 137"	1,600	1,781	1,872	1,963	2,054	2,145	2,235	2,326	2,420	2,514	2,608	2,702	2,796	2,890	2,985	3,079
	4.00 m 157"	1,648	1,829	1,920	2,011	2,102	2,192	2,283	2,374	2,468	2,562	2,656	2,750	2,844	2,938	3,032	3,126
	4.50 m 177"	1,774	1,956	2,046	2,137	2,228	2,319	2,410	2,501	2,595	2,689	2,783	2,877	2,971	3,065	3,159	3,253
	5.00 m 196"	1,930	2,169	2,289	2,409	2,529	2,648	2,768	2,888	3,011	3,134	3,257	3,380	3,503	3,626	3,749	3,872

Ilios Basic with JSS Fabrics

		0.50 m	1.00 m	1.25 m	1.50 m	1.75 m	2.00 m	2.25 m	2.50 m	2.75 m	3.00 m	3.25 m	3.50 m	3.75 m	4.00 m	4.25 m	4.50 m
		19"	39"	49"	59"	68"	78"	88"	98"	108"	118"	127"	137"	147"	157"	167"	177"
WIDTH	0.50 m 19"	680	736	760	789	817	845	873	901	930	961	993	1,024	1,056	1,087	1,118	1,150
	1.00 m 39"	758	814	839	867	895	923	951	980	1,008	1,039	1,071	1,102	1,134	1,165	1,197	1,228
	1.20 m 47"	804	861	885	913	941	970	998	1,026	1,054	1,086	1,117	1,149	1,180	1,211	1,243	1,274
	1.50 m 59"	845	902	926	954	982	1,011	1,039	1,067	1,095	1,127	1,158	1,190	1,221	1,253	1,284	1,316
	1.67 m 65"	873	929	953	981	1,010	1,038	1,066	1,094	1,123	1,154	1,185	1,217	1,248	1,280	1,311	1,343
	2.00 m 78"	914	971	995	1,023	1,051	1,080	1,108	1,136	1,164	1,196	1,227	1,259	1,290	1,322	1,353	1,385
	2.33 m 91"	1,004	1,060	1,085	1,113	1,141	1,169	1,198	1,226	1,254	1,285	1,317	1,348	1,380	1,411	1,443	1,474
	2.40 m 94"	1,017	1,073	1,097	1,125	1,154	1,182	1,210	1,238	1,267	1,298	1,330	1,361	1,392	1,424	1,455	1,487
	2.50 m 98"	1,018	1,074	1,098	1,127	1,155	1,183	1,211	1,239	1,268	1,299	1,331	1,362	1,393	1,425	1,456	1,488
	3.00 m 118"	1,241	1,346	1,394	1,447	1,499	1,551	1,604	1,656	1,709	1,764	1,820	1,876	1,931	1,987	2,043	2,098
	3.50 m 137"	1,419	1,524	1,572	1,624	1,677	1,729	1,782	1,834	1,887	1,942	1,998	2,053	2,109	2,165	2,220	2,276
	4.00 m 157"	1,467	1,571	1,620	1,672	1,725	1,777	1,830	1,882	1,934	1,990	2,046	2,101	2,157	2,213	2,268	2,324
	4.50 m 177"	1,593	1,698	1,746	1,799	1,851	1,904	1,956	2,008	2,061	2,117	2,172	2,228	2,283	2,339	2,395	2,450
5.00 m 196"	1,598	1,703	1,752	1,804	1,856	1,909	1,961	2,014	2,066	2,122	2,177	2,233	2,289	2,344	2,400	2,456	

Drop Shades in excess of the fabric width will require sewn seams.

JSS 1100: 98" JSS 1300: 118" JSS 1500: 118"

MOTORIZATION

Altus 25 Nm Motor - \$ 1035



REMOTES



Telis 1 or Situo
\$ 129



Telis 4 or Situo 5
\$ 166



Patio 1
\$ 151



Patio 4
\$ 194

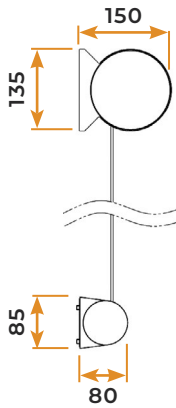
NOTE: Prices apply when ordered with a Drop Shade. Altus with RTS Technology is the standard for Ilios Drop Shades. Price includes RTS motor, adapters, brackets, crowns, drives, and plug-in cables up to 24'. RTS Controllers sold separately. See motor section for extra parts. Wind/Motion sensor are not available for Drop Shades.

ILIOS RAY Drop Shade with Cassette



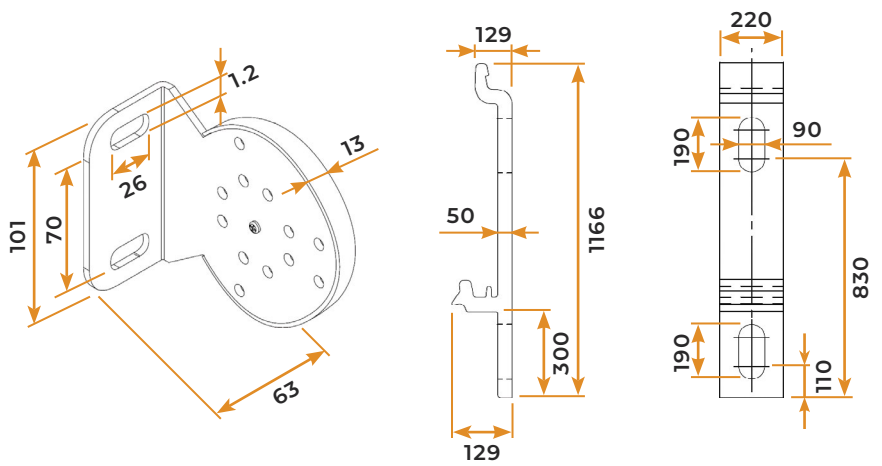
Overall Dimensions

Wall or ceiling installation (in millimeters)



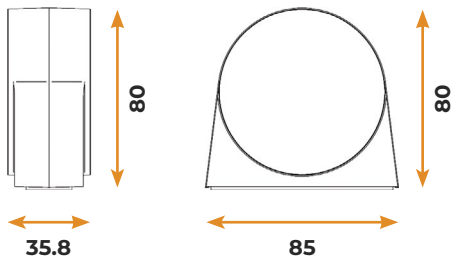
Bracket Dimensions

Wall or ceiling installation (in millimeters)

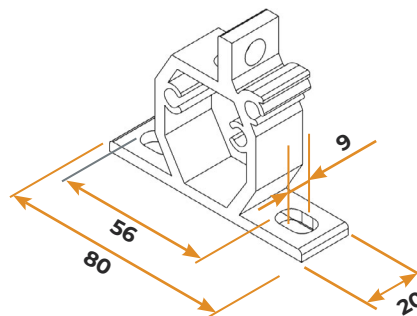


Foot Kit Dimensions

Foot Cover (in millimeters)



Anchoring Bracket (in millimeters)



Ilios Ray Frame only - Retail Price

		0.50 m	1.00 m	1.25 m	1.50 m	1.75 m	2.00 m	2.25 m	2.50 m	2.75 m	3.00 m	3.25 m	3.50 m	3.75 m	4.00 m	4.25 m	4.50 m
		19"	39"	49"	59"	68"	78"	88"	98"	108"	118"	127"	137"	147"	157"	167"	177"
WIDTH	0.50 m 19"	625	633	637	641	645	649	653	657	664	671	679	686	693	701	708	715
	1.00 m 39"	809	817	821	825	829	833	837	841	849	856	863	870	878	885	892	900
	1.20 m 47"	905	913	917	921	925	929	933	937	944	952	959	966	973	981	988	995
	1.50 m 59"	1,041	1,049	1,053	1,057	1,061	1,065	1,069	1,073	1,081	1,088	1,095	1,102	1,110	1,117	1,124	1,131
	1.67 m 65"	1,060	1,068	1,073	1,077	1,081	1,085	1,089	1,093	1,100	1,107	1,114	1,122	1,129	1,136	1,143	1,151
	2.00 m 78"	1,178	1,186	1,190	1,194	1,198	1,202	1,206	1,210	1,218	1,225	1,232	1,239	1,247	1,254	1,261	1,269
	2.33 m 91"	1,367	1,375	1,379	1,383	1,387	1,391	1,395	1,399	1,406	1,413	1,421	1,428	1,435	1,442	1,450	1,457
	2.40 m 94"	1,379	1,387	1,391	1,395	1,399	1,403	1,407	1,411	1,419	1,426	1,433	1,440	1,448	1,455	1,462	1,469
	2.50 m 98"	1,380	1,388	1,392	1,396	1,400	1,404	1,408	1,412	1,420	1,427	1,434	1,441	1,449	1,456	1,463	1,470
	3.00 m 118"	1,658	1,666	1,670	1,674	1,678	1,682	1,686	1,690	1,697	1,705	1,712	1,719	1,726	1,734	1,741	1,748
	3.50 m 137"	2,201	2,209	2,213	2,217	2,221	2,225	2,229	2,233	2,240	2,248	2,255	2,262	2,270	2,277	2,284	2,291
	4.00 m 157"	2,248	2,257	2,261	2,265	2,269	2,273	2,277	2,281	2,288	2,295	2,302	2,310	2,317	2,324	2,332	2,339
	4.50 m 177"	2,344	2,352	2,356	2,360	2,364	2,368	2,372	2,377	2,384	2,391	2,398	2,406	2,413	2,420	2,427	2,435
5.00 m 196"	2,349	2,357	2,361	2,365	2,369	2,373	2,377	2,381	2,389	2,396	2,403	2,410	2,418	2,425	2,432	2,439	

Ilios Ray with 46" Fabric

		0.50 m	1.00 m	1.25 m	1.50 m	1.75 m	2.00 m	2.25 m	2.50 m	2.75 m	3.00 m	3.25 m	3.50 m	3.75 m	4.00 m	4.25 m	4.50 m
		19"	39"	49"	59"	68"	78"	88"	98"	108"	118"	127"	137"	147"	157"	167"	177"
WIDTH	0.50 m 19"	754	790	808	826	844	862	881	899	920	941	963	984	1,005	1,027	1,048	1,069
	1.00 m 39"	938	974	993	1,011	1,029	1,047	1,065	1,083	1,104	1,126	1,147	1,169	1,190	1,211	1,233	1,254
	1.20 m 47"	1,034	1,070	1,088	1,106	1,124	1,143	1,161	1,179	1,200	1,221	1,243	1,264	1,286	1,307	1,328	1,350
	1.50 m 59"	1,273	1,338	1,370	1,402	1,434	1,466	1,499	1,531	1,566	1,602	1,637	1,673	1,708	1,743	1,779	1,814
	1.67 m 65"	1,293	1,357	1,389	1,421	1,454	1,486	1,518	1,550	1,586	1,621	1,656	1,692	1,727	1,763	1,798	1,834
	2.00 m 78"	1,410	1,475	1,507	1,539	1,571	1,604	1,636	1,668	1,703	1,739	1,774	1,810	1,845	1,881	1,916	1,951
	2.33 m 91"	1,599	1,663	1,695	1,728	1,760	1,792	1,824	1,856	1,892	1,927	1,963	1,998	2,034	2,069	2,104	2,140
	2.40 m 94"	1,611	1,676	1,708	1,740	1,772	1,805	1,837	1,869	1,904	1,940	1,975	2,011	2,046	2,082	2,117	2,152
	2.50 m 98"	1,715	1,808	1,854	1,901	1,947	1,993	2,039	2,086	2,135	2,185	2,234	2,284	2,333	2,383	2,432	2,482
	3.00 m 118"	1,993	2,086	2,132	2,178	2,225	2,271	2,317	2,364	2,413	2,463	2,512	2,562	2,611	2,661	2,710	2,760
	3.50 m 137"	2,536	2,629	2,675	2,721	2,768	2,814	2,860	2,907	2,956	3,006	3,055	3,105	3,154	3,204	3,253	3,303
	4.00 m 157"	2,687	2,808	2,868	2,928	2,989	3,049	3,110	3,170	3,234	3,297	3,361	3,424	3,488	3,552	3,615	3,679
	4.50 m 177"	2,783	2,903	2,964	3,024	3,085	3,145	3,205	3,266	3,329	3,393	3,457	3,520	3,584	3,647	3,711	3,775
5.00 m 196"	2,891	3,040	3,114	3,189	3,263	3,337	3,412	3,486	3,564	3,642	3,720	3,797	3,875	3,953	4,030	4,108	

ILIOS RAY Drop Shade with Cassette

Ilios Ray with 54" Fabric

		0.50 m	1.00 m	1.25 m	1.50 m	1.75 m	2.00 m	2.25 m	2.50 m	2.75 m	3.00 m	3.25 m	3.50 m	3.75 m	4.00 m	4.25 m	4.50 m
		19"	39"	49"	59"	68"	78"	88"	98"	108"	118"	127"	137"	147"	157"	167"	177"
WIDTH	0.50 m 19"	767	812	834	857	879	902	924	946	972	998	1,023	1,049	1,074	1,100	1,126	1,151
	1.00 m 39"	952	997	1,019	1,041	1,064	1,086	1,108	1,131	1,156	1,182	1,208	1,233	1,259	1,284	1,310	1,336
	1.20 m 47"	1,047	1,092	1,115	1,137	1,159	1,182	1,204	1,226	1,252	1,278	1,303	1,329	1,354	1,380	1,406	1,431
	1.50 m 59"	1,300	1,382	1,423	1,463	1,504	1,545	1,585	1,626	1,670	1,714	1,758	1,802	1,846	1,890	1,934	1,978
	1.67 m 65"	1,320	1,401	1,442	1,483	1,523	1,564	1,605	1,646	1,690	1,733	1,777	1,821	1,865	1,909	1,953	1,997
	2.00 m 78"	1,438	1,519	1,560	1,600	1,641	1,682	1,723	1,763	1,807	1,851	1,895	1,939	1,983	2,027	2,071	2,115
	2.33 m 91"	1,626	1,707	1,748	1,789	1,830	1,870	1,911	1,952	1,996	2,040	2,084	2,128	2,172	2,216	2,259	2,303
	2.40 m 94"	1,639	1,720	1,761	1,801	1,842	1,883	1,924	1,964	2,008	2,052	2,096	2,140	2,184	2,228	2,272	2,316
	2.50 m 98"	1,639	1,721	1,762	1,802	1,843	1,884	1,925	1,965	2,009	2,053	2,097	2,141	2,185	2,229	2,273	2,317
	3.00 m 118"	2,034	2,152	2,211	2,270	2,329	2,389	2,448	2,507	2,569	2,631	2,694	2,756	2,818	2,880	2,943	3,005
	3.50 m 137"	2,577	2,695	2,754	2,813	2,872	2,932	2,991	3,050	3,112	3,174	3,237	3,299	3,361	3,423	3,486	3,548
	4.00 m 157"	2,625	2,743	2,802	2,861	2,920	2,979	3,038	3,097	3,159	3,222	3,284	3,346	3,409	3,471	3,533	3,596
	4.50 m 177"	2,837	2,992	3,069	3,147	3,224	3,302	3,379	3,457	3,537	3,618	3,698	3,779	3,860	3,940	4,021	4,102
	5.00 m 196"	2,959	3,150	3,246	3,342	3,438	3,533	3,629	3,725	3,824	3,923	4,022	4,121	4,220	4,319	4,418	4,517

Ilios Ray with 60" Fabric

		0.50 m	1.00 m	1.25 m	1.50 m	1.75 m	2.00 m	2.25 m	2.50 m	2.75 m	3.00 m	3.25 m	3.50 m	3.75 m	4.00 m	4.25 m	4.50 m
		19"	39"	49"	59"	68"	78"	88"	98"	108"	118"	127"	137"	147"	157"	167"	177"
WIDTH	0.50 m 19"	801	867	900	933	966	999	1,032	1,065	1,101	1,137	1,173	1,210	1,246	1,282	1,318	1,354
	1.00 m 39"	986	1,052	1,085	1,117	1,150	1,183	1,216	1,249	1,286	1,322	1,358	1,394	1,430	1,466	1,503	1,539
	1.20 m 47"	1,081	1,147	1,180	1,213	1,246	1,279	1,312	1,345	1,381	1,417	1,454	1,490	1,526	1,562	1,598	1,634
	1.50 m 59"	1,217	1,283	1,316	1,349	1,382	1,415	1,448	1,481	1,517	1,553	1,590	1,626	1,662	1,698	1,734	1,771
	1.67 m 65"	1,387	1,511	1,573	1,635	1,697	1,759	1,821	1,883	1,948	2,013	2,078	2,143	2,208	2,273	2,338	2,403
	2.00 m 78"	1,505	1,629	1,691	1,753	1,815	1,877	1,938	2,000	2,065	2,131	2,196	2,261	2,326	2,391	2,456	2,521
	2.33 m 91"	1,694	1,818	1,879	1,941	2,003	2,065	2,127	2,189	2,254	2,319	2,384	2,449	2,514	2,580	2,645	2,710
	2.40 m 94"	1,706	1,830	1,892	1,954	2,016	2,078	2,139	2,201	2,266	2,332	2,397	2,462	2,527	2,592	2,657	2,722
	2.50 m 98"	1,707	1,831	1,893	1,955	2,017	2,079	2,140	2,202	2,267	2,333	2,398	2,463	2,528	2,593	2,658	2,723
	3.00 m 118"	1,985	2,109	2,171	2,233	2,294	2,356	2,418	2,480	2,545	2,610	2,675	2,741	2,806	2,871	2,936	3,001
	3.50 m 137"	2,679	2,860	2,951	3,042	3,133	3,224	3,314	3,405	3,499	3,593	3,687	3,781	3,875	3,969	4,063	4,158
	4.00 m 157"	2,726	2,908	2,999	3,089	3,180	3,271	3,362	3,453	3,547	3,641	3,735	3,829	3,923	4,017	4,111	4,205
	4.50 m 177"	2,822	3,004	3,094	3,185	3,276	3,367	3,458	3,548	3,643	3,737	3,831	3,925	4,019	4,113	4,207	4,301
	5.00 m 196"	2,977	3,217	3,337	3,456	3,576	3,696	3,816	3,935	4,058	4,181	4,304	4,427	4,550	4,673	4,796	4,919

Ilios Ray with JSS Fabrics

		0.50 m	1.00 m	1.25 m	1.50 m	1.75 m	2.00 m	2.25 m	2.50 m	2.75 m	3.00 m	3.25 m	3.50 m	3.75 m	4.00 m	4.25 m	4.50 m
		19"	39"	49"	59"	68"	78"	88"	98"	108"	118"	127"	137"	147"	157"	167"	177"
WIDTH	0.50 m 19"	788	846	874	903	932	961	990	1,019	1,051	1,083	1,115	1,147	1,179	1,211	1,243	1,275
	1.00 m 39"	972	1,030	1,059	1,088	1,117	1,145	1,174	1,203	1,235	1,267	1,299	1,331	1,363	1,395	1,427	1,460
	1.20 m 47"	1,068	1,126	1,155	1,183	1,212	1,241	1,270	1,299	1,331	1,363	1,395	1,427	1,459	1,491	1,523	1,555
	1.50 m 59"	1,204	1,262	1,291	1,320	1,348	1,377	1,406	1,435	1,467	1,499	1,531	1,563	1,595	1,627	1,659	1,691
	1.67 m 65"	1,224	1,281	1,310	1,339	1,368	1,397	1,425	1,454	1,486	1,518	1,550	1,583	1,615	1,647	1,679	1,711
	2.00 m 78"	1,341	1,399	1,428	1,457	1,486	1,514	1,543	1,572	1,604	1,636	1,668	1,700	1,732	1,764	1,796	1,829
	2.33 m 91"	1,530	1,588	1,616	1,645	1,674	1,703	1,732	1,761	1,793	1,825	1,857	1,889	1,921	1,953	1,985	2,017
	2.40 m 94"	1,542	1,600	1,629	1,658	1,687	1,715	1,744	1,773	1,805	1,837	1,869	1,901	1,933	1,965	1,997	2,029
	2.50 m 98"	1,543	1,601	1,630	1,659	1,688	1,716	1,745	1,774	1,806	1,838	1,870	1,902	1,934	1,966	1,998	2,030
	3.00 m 118"	1,959	2,066	2,119	2,173	2,227	2,280	2,334	2,388	2,444	2,501	2,558	2,615	2,672	2,729	2,786	2,842
	3.50 m 137"	2,502	2,609	2,663	2,716	2,770	2,823	2,877	2,931	2,988	3,044	3,101	3,158	3,215	3,272	3,329	3,385
	4.00 m 157"	2,549	2,656	2,710	2,764	2,817	2,871	2,924	2,978	3,035	3,092	3,149	3,206	3,262	3,319	3,376	3,433
	4.50 m 177"	2,645	2,752	2,806	2,859	2,913	2,967	3,020	3,074	3,131	3,188	3,244	3,301	3,358	3,415	3,472	3,529
5.00 m 196"	2,650	2,757	2,811	2,864	2,918	2,972	3,025	3,079	3,136	3,192	3,249	3,306	3,363	3,420	3,477	3,534	

Drop Shades in excess of the fabric width will require sewn seams.

JSS 1100: 98" JSS 1300: 118" JSS 1500: 118"

MOTORIZATION

Altus 25 Nm Motor - \$ 1035



REMOTES



Telis 1 or Situo
\$ 129



Telis 4 or Situo 5
\$ 166



Patio 1
\$ 151



Patio 4
\$ 194

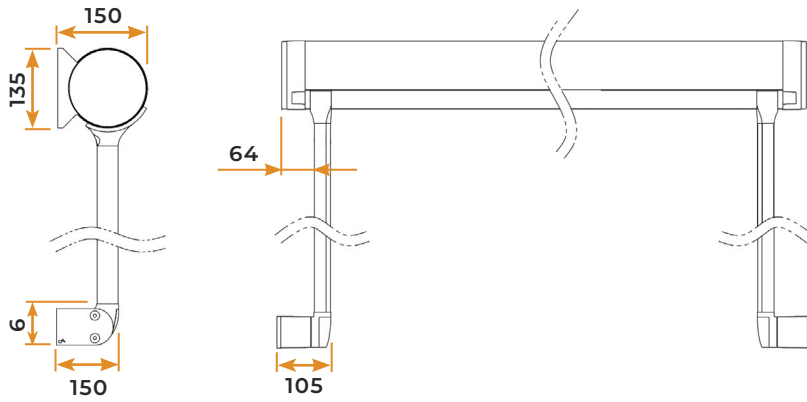
NOTE: Prices apply when ordered with a Drop Shade. Altus with RTS Technology is the standard for Ilios Drop Shades. Price includes RTS motor, adapters, brackets, crowns, drives, and plug-in cables up to 24'. RTS Controllers sold separately. See motor section for extra parts. Wind/Motion sensor are not available for Drop Shades.

ILIOS WING Drop Arm Shade



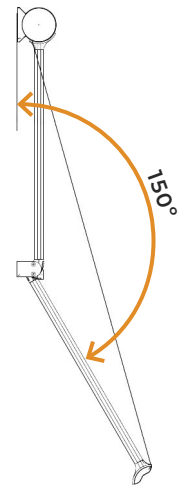
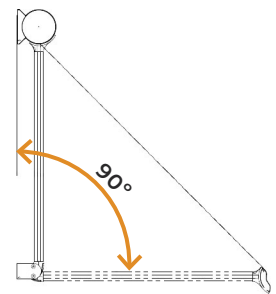
Overall Dimensions

Wall or ceiling installation (in millimeters)



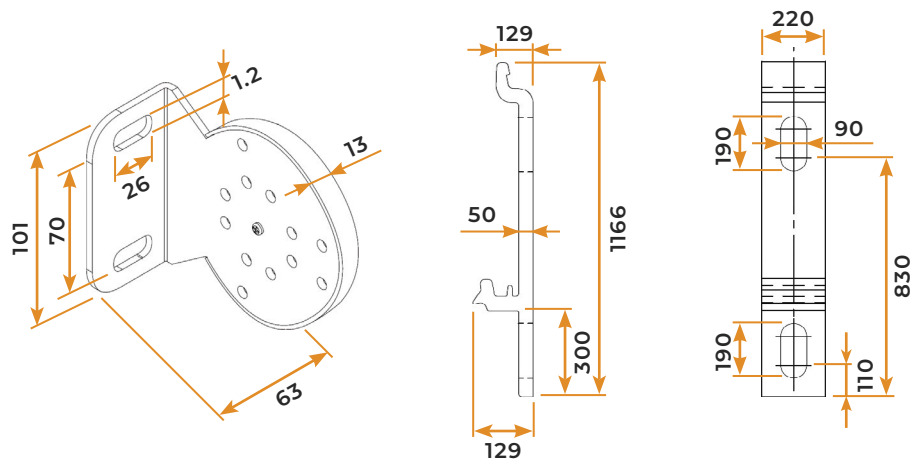
Arm inclination

90° & 150° inclination



Bracket Dimensions

Wall or ceiling installation (in millimeters)



Ilios Wing Frame only - Retail Price

		SMALL	MEDIUM	LARGE	
		0.80 m Arm	1.20 m Arm	1.60 m Arm	
		31 ½"	47"	63"	
WIDTH	0.50 m	19"	1,091	1,107	1,124
	1.00 m	39"	1,284	1,300	1,316
	1.20 m	47"	1,387	1,403	1,419
	1.50 m	59"	1,523	1,540	1,556
	1.67 m	65"	1,551	1,567	1,583
	2.00 m	78"	1,669	1,685	1,701
	2.33 m	91"	1,872	1,889	1,905
	2.40 m	94"	1,885	1,901	1,917
	2.50 m	98"	1,886	1,902	1,918
	3.00 m	118"	2,164	2,180	2,196
	3.50 m	137"	2,723	2,739	2,755
	4.00 m	157"	2,770	2,787	2,803
	4.50 m	177"	2,897	2,913	2,929
	5.00 m	196"	2,902	2,918	2,934

Ilios Wing with 46" Fabric

		SMALL	MEDIUM	LARGE	
		0.80 m Arm	1.20 m Arm	1.60 m Arm	
		31 ½"	47"	63"	
WIDTH	0.50 m	19"	1,289	1,351	1,413
	1.00 m	39"	1,482	1,544	1,606
	1.20 m	47"	1,585	1,647	1,709
	1.50 m	59"	1,894	2,002	2,109
	1.67 m	65"	1,921	2,029	2,136
	2.00 m	78"	2,039	2,147	2,254
	2.33 m	91"	2,243	2,351	2,458
	2.40 m	94"	2,256	2,363	2,471
	2.50 m	98"	2,429	2,582	2,736
	3.00 m	118"	2,707	2,860	3,014
	3.50 m	137"	3,266	3,419	3,572
	4.00 m	157"	3,486	3,685	3,884
	4.50 m	177"	3,612	3,811	4,010
	5.00 m	196"	3,790	4,035	4,279

Ilios Wing with 54" Fabric

WIDTH		SMALL	MEDIUM	LARGE
		0.80 m Arm	1.20 m Arm	1.60 m Arm
		31 ½"	47"	63"
0.50 m	19"	1,356	1,383	1,458
1.00 m	39"	1,548	1,575	1,651
1.20 m	47"	1,652	1,679	1,754
1.50 m	59"	1,994	2,081	2,216
1.67 m	65"	2,021	2,108	2,243
2.00 m	78"	2,139	2,226	2,361
2.33 m	91"	2,343	2,430	2,565
2.40 m	94"	2,356	2,442	2,577
2.50 m	98"	2,357	2,443	2,578
3.00 m	118"	2,842	2,987	3,182
3.50 m	137"	3,400	3,546	3,740
4.00 m	157"	3,448	3,594	3,788
4.50 m	177"	3,781	3,986	4,240
5.00 m	196"	3,992	4,257	4,570

Ilios Wing with 60" Fabric

WIDTH		SMALL	MEDIUM	LARGE
		0.80 m Arm	1.20 m Arm	1.60 m Arm
		31 ½"	47"	63"
0.50 m	19"	1,440	1,501	1,611
1.00 m	39"	1,633	1,694	1,803
1.20 m	47"	1,736	1,797	1,907
1.50 m	59"	1,873	1,934	2,043
1.67 m	65"	2,191	2,345	2,547
2.00 m	78"	2,309	2,463	2,665
2.33 m	91"	2,513	2,667	2,869
2.40 m	94"	2,525	2,679	2,882
2.50 m	98"	2,526	2,680	2,883
3.00 m	118"	2,804	2,959	3,161
3.50 m	137"	3,654	3,901	4,197
4.00 m	157"	3,702	3,949	4,245
4.50 m	177"	3,828	4,076	4,371
5.00 m	196"	4,125	4,465	4,854

Ilios Wing with JSS Fabrics

		SMALL	MEDIUM	LARGE	
		0.80 m Arm	1.20 m Arm	1.60 m Arm	
		31 ½"	47"	63"	
WIDTH	0.50 m	19"	1,335	1,415	1,495
	1.00 m	39"	1,527	1,607	1,687
	1.20 m	47"	1,631	1,711	1,791
	1.50 m	59"	1,767	1,847	1,927
	1.67 m	65"	1,940	2,063	2,186
	2.00 m	78"	2,130	2,274	2,418
	2.33 m	91"	2,406	2,570	2,735
	2.40 m	94"	2,433	2,603	2,772
	2.50 m	98"	2,347	2,491	2,635
	3.00 m	118"	2,625	2,769	2,913
	3.50 m	137"	3,511	3,750	3,990
	4.00 m	157"	3,449	3,657	3,865
	4.50 m	177"	3,576	3,784	3,991
	5.00 m	196"	3,799	4,071	4,342

Drop Shades in excess of the fabric width will require sewn seams.

JSS 1100: 98" JSS 1300: 118" JSS 1500: 118"

MOTORIZATION

Altus 25 Nm Motor - \$ 1035



REMOTES



Telis 1 or Situo
\$ 129



Telis 4 or Situo 5
\$ 166



Patio 1
\$ 151

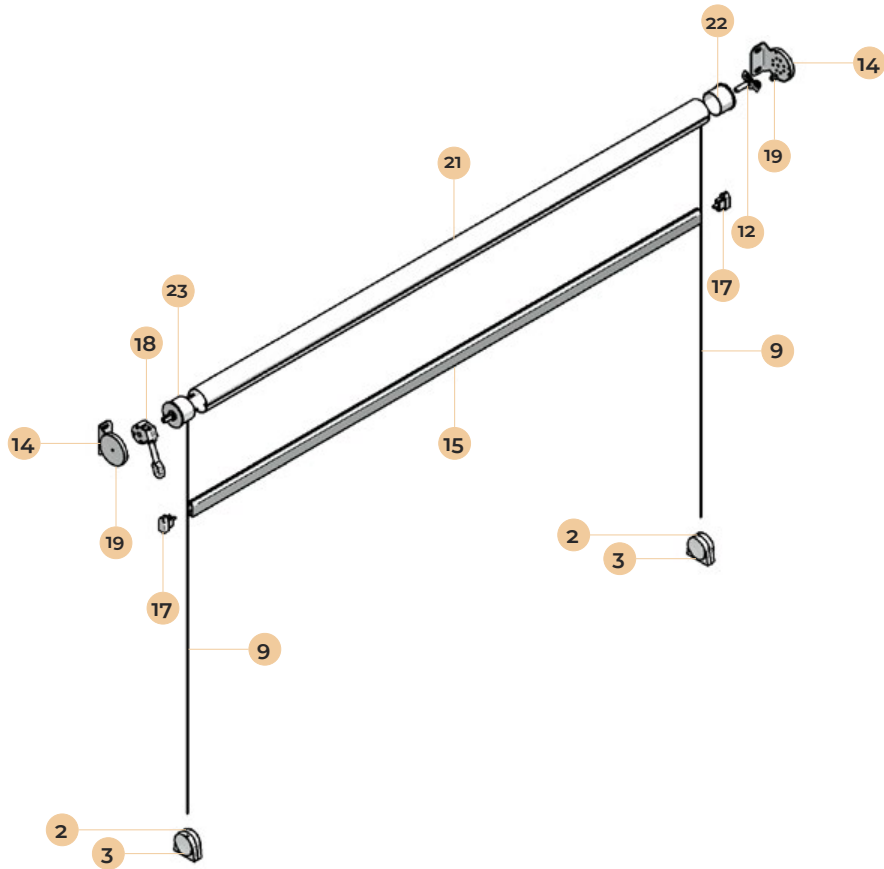


Patio 4
\$ 194

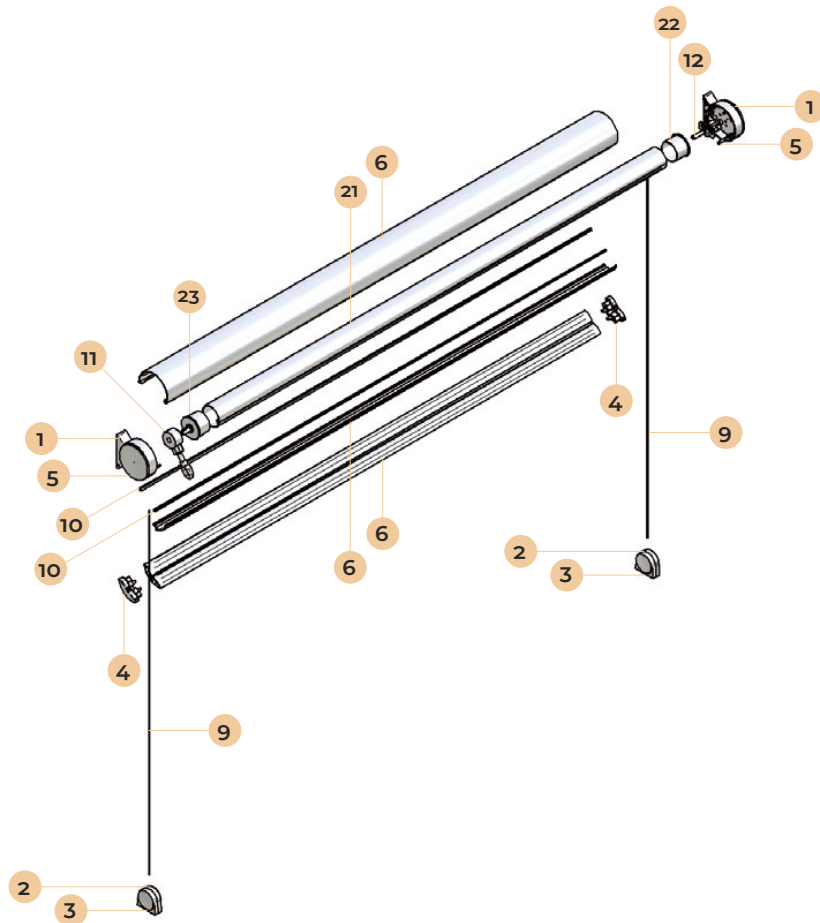
NOTE: Prices apply when ordered with a Drop Shade. Altus with RTS Technology is the standard for Ilios Drop Shades. Price includes RTS motor, adapters, brackets, crowns, drives, and plug-in cables up to 24'. RTS Controllers sold separately. See motor section for extra parts. Wind/Motion sensor are not available for Drop Shades.

ILIOS COMPONENTS

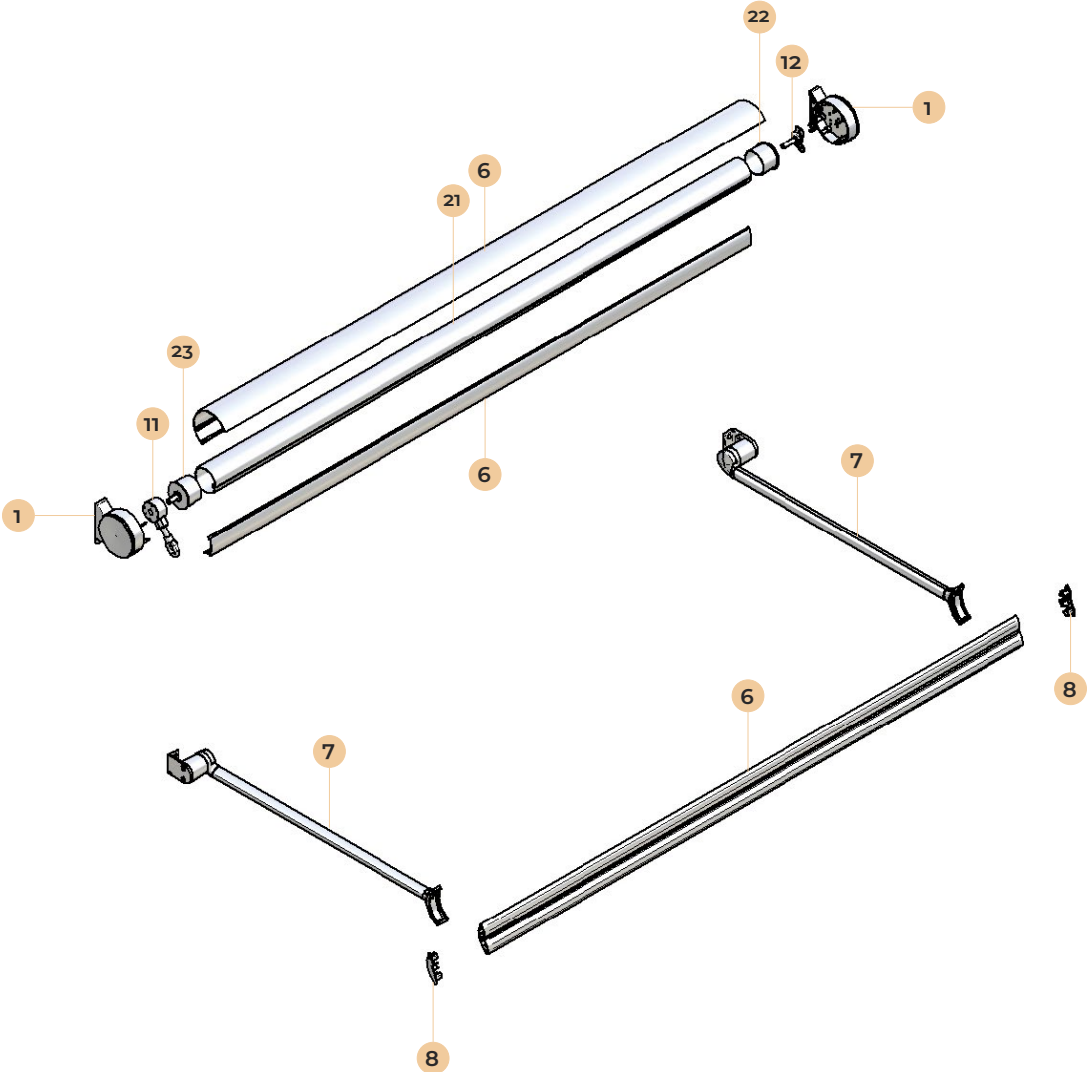
ILIOS BASIC



ILIOS RAY




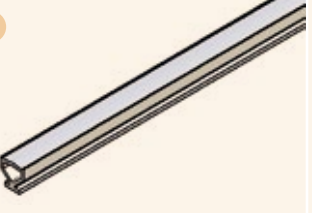

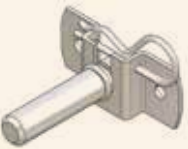


ILIOS WING



ILIOS COMPONENTS

PARTS	DESCRIPTION	PRODUCT #	SINGLE KIT PRICE	FULL BOX PRICE	UNIT	UNIT PER BOX
	ILIOS RAY & ILIOS WING Ilios Wall/Ceiling Bracket Kit	9610KISS001	-	-	1 pair	12
	Ilios Universal Foot Kit	9610KISP001N900	-	-	1 pair	25
	Ilios Foot Cover Caps	9610KITP001	-	-	1 pair	10
	Ilios Cover Caps Kit for Terminal Bar	9610KTRY001	-	-	1 pair	10
	ILIOS RAY Cable Connection	9610KVCR001	-	-	1 pair	10
	Ilios Profile Set 3 m 4 m 5 m	9610KPIL300 9610KPIL400 9610KPIL500	-	-	1 piece	12

PARTS	DESCRIPTION	PRODUCT #	SINGLE KIT PRICE	FULL BOX PRICE	UNIT	UNIT PER BOX
	80 cm	9610BICS080	-	-		
	120 cm	9610BICS120	-	-	1 pair	1
	160 cm	9610BICS160	-	-		
	ILIOS WING Cover Caps Kit for Terminal Bar	9610KTAT001	-	-	1 pair	10
	Ø 4 Stainless Steel Cable	9999CAV4001	-	-	1 meter	100
	Wall and Coupling Gasket <div style="display: inline-block; vertical-align: middle;"> <input type="checkbox"/> <input type="checkbox"/> </div>	9999GUBA0019016	-	-	1 meter	100
		9999GUBA0019006	-	-		
			-	-		
	ILIOS RAY & ILIOS WING Reduction Winch 3.5:1	9999ARGA351	-	-	1 piece	25
	Plate with Removable Pin	9999PIASPES	-	-	1 piece	50

ILIOS COMPONENTS

PARTS	DESCRIPTION	PRODUCT #	SINGLE KIT PRICE	FULL BOX PRICE	UNIT	UNIT PER BOX	
	Winch (ILIOS BASIC)	9999KVAR004	-	-	1 kit	50	
	Motor & Plate (ILIOS BASIC)	9999KVPI003	-	-	1 kit		
	Winch (ILIOS RAY & WING)	9999KVPI002	-	-	1 kit		
	Motor & Plate (ILIOS RAY & WING)	9999KVPI005	-	-	1 kit		
	ILIOS BASIC Wall/Ceiling Bracket Kit	9611KISI001	-	-	1 pair	10	
	End Caps Only	2611TASL001	-	-	1 each		
	Aire Terminal Bar	7620PTEA300	-	-	1 piece	1	
		7620PTEA400	-	-			
		7620PTEA500	-	-			
	Terminal Bar End Covers	3 m	9620KTAT001	-	-	1 pair	10
		4 m					
		5 m					
	Aire Ray Terminal Profile Cover Caps Kit	9620KTRY001	-	-	1 pair	10	
	ILIOS BASIC Reduction Winch 11:1	9999ARGA111	-	-	1 piece	25	

PARTS	DESCRIPTION	PRODUCT #	SINGLE KIT PRICE	FULL BOX PRICE	UNIT	UNIT PER BOX
	Ilios BASIC Ray Cable Connection	9611KVCF001	-	-	1 pair	10
	Zinc Coated Iron Ballast - 6 m	2610TUBO002	-	-	1 piece	1
	3 m	9999TUB8300	-	-	1 piece	36
	3.5 m	9999TUB8350	-	-		
	4 m	9999TUB8400	-	-		
	5 m	9999TUB8500	-	-		
	7 m	9999TUB8700	-	-		
	Cap with Hole D14 Ø 80 mm	9999CAL8FOR	-	-	1 piece	100
	Cap with Square Pin □ 13 x 30 mm - Ø 80 mm	9999CAL8Q30	-	-	1 piece	100
	150 cm	9999ASTM150	-	-	1 piece	10
	180 cm	9999ASTM180	-	-		
	200 cm	9999ASTM200	-	-		

REPLACEMENT FABRICS ONLY (SKINS)

Replacement Fabric Cover - 46" Fabric

FABRIC LENGTH	# OF PANELS										
	1	2	3	4	5	6	7	8	9	10	11
	WIDTH										
	43"	88"	133"	178"	223"	268"	313"	358"	403"	448"	456"
12"	156	255	353	452	568	684	799	915	1,030	1,146	1,262
24"	175	293	411	530	665	800	935	1,070	1,204	1,339	1,474
36"	194	332	469	607	761	916	1,070	1,224	1,378	1,533	1,687
48"	214	371	528	684	858	1,032	1,205	1,379	1,553	1,726	1,900
60"	233	409	586	762	955	1,148	1,341	1,534	1,727	1,919	2,112
72"	252	448	644	839	1,051	1,264	1,476	1,688	1,901	2,113	2,325
84"	272	487	702	916	1,148	1,380	1,611	1,843	2,075	2,306	2,538
96"	291	525	760	994	1,245	1,496	1,747	1,998	2,249	2,500	2,751
108"	310	564	818	1,071	1,341	1,612	1,882	2,152	2,423	2,693	2,963
120"	330	603	876	1,149	1,438	1,728	2,017	2,307	2,597	2,886	3,176
132"	349	641	934	1,226	1,535	1,844	2,153	2,462	2,771	3,080	3,389
144"	368	680	992	1,303	1,631	1,960	2,288	2,616	2,945	3,273	3,601
156"	388	719	1,050	1,381	1,728	2,076	2,423	2,771	3,119	3,466	3,814
168"	407	757	1,108	1,458	1,825	2,192	2,559	2,926	3,293	3,660	4,027
180"	426	796	1,166	1,535	1,922	2,308	2,694	3,080	3,467	3,853	4,239
192"	446	835	1,224	1,613	2,018	2,424	2,829	3,235	3,641	4,046	4,452
204"	465	873	1,282	1,690	2,115	2,540	2,965	3,390	3,815	4,240	4,665
216"	484	912	1,340	1,767	2,212	2,656	3,100	3,544	3,989	4,433	4,877
228"	504	951	1,398	1,845	2,308	2,772	3,236	3,699	4,163	4,626	5,090
240"	523	989	1,456	1,922	2,405	2,888	3,371	3,854	4,337	4,820	5,303
252"	542	1,028	1,514	1,999	2,502	3,004	3,506	4,009	4,511	5,013	5,515
264"	562	1,067	1,572	2,077	2,598	3,120	3,642	4,163	4,685	5,207	5,728
276"	581	1,105	1,630	2,154	2,695	3,236	3,777	4,318	4,859	5,400	5,941
288"	600	1,144	1,688	2,231	2,792	3,352	3,912	4,473	5,033	5,593	6,154
300"	620	1,183	1,746	2,309	2,888	3,468	4,048	4,627	5,207	5,787	6,366
312"	639	1,221	1,804	2,386	2,985	3,584	4,183	4,782	5,381	5,980	6,579
324"	658	1,260	1,862	2,463	3,082	3,700	4,318	4,937	5,555	6,173	6,792
336"	678	1,299	1,920	2,541	3,178	3,816	4,454	5,091	5,729	6,367	7,004
348"	697	1,337	1,978	2,618	3,275	3,932	4,589	5,246	5,903	6,560	7,217
360"	716	1,376	2,036	2,695	3,372	4,048	4,724	5,401	6,077	6,753	7,430

Please supply the exact finished measurement of the cover you need. The cover will be made to that exact size. Fabric Length is typically 12" longer than the projection to allow for roll-up.

Replacement Fabric Cover - 54" Fabric

FABRIC LENGTH	# OF PANELS								
	1	2	3	4	5	6	7	8	9
	WIDTH								
	51"	104"	157"	210"	263"	316"	369"	422"	456"
12"	166	275	384	493	619	745	871	997	1,123
24"	191	325	459	593	744	895	1,045	1,196	1,347
36"	216	375	534	693	868	1,044	1,220	1,396	1,571
48"	241	425	609	792	993	1,194	1,394	1,595	1,796
60"	266	474	683	892	1,118	1,343	1,569	1,794	2,020
72"	290	524	758	992	1,242	1,493	1,743	1,994	2,244
84"	315	574	833	1,092	1,367	1,642	1,918	2,193	2,468
96"	340	624	908	1,191	1,491	1,792	2,092	2,392	2,693
108"	365	674	982	1,291	1,616	1,941	2,267	2,592	2,917
120"	390	724	1,057	1,391	1,741	2,091	2,441	2,791	3,141
132"	415	773	1,132	1,490	1,865	2,240	2,615	2,990	3,366
144"	440	823	1,207	1,590	1,990	2,390	2,790	3,190	3,590
156"	465	873	1,281	1,690	2,115	2,539	2,964	3,389	3,814
168"	490	923	1,356	1,789	2,239	2,689	3,139	3,589	4,038
180"	515	973	1,431	1,889	2,364	2,838	3,313	3,788	4,263
192"	540	1,023	1,506	1,989	2,488	2,988	3,488	3,987	4,487
204"	565	1,073	1,580	2,088	2,613	3,138	3,662	4,187	4,711
216"	590	1,122	1,655	2,188	2,738	3,287	3,837	4,386	4,936
228"	614	1,172	1,730	2,288	2,862	3,437	4,011	4,585	5,160
240"	639	1,222	1,805	2,387	2,987	3,586	4,185	4,785	5,384
252"	664	1,272	1,879	2,487	3,111	3,736	4,360	4,984	5,608
264"	689	1,322	1,954	2,587	3,236	3,885	4,534	5,184	5,833
276"	714	1,372	2,029	2,686	3,361	4,035	4,709	5,383	6,057
288"	739	1,421	2,104	2,786	3,485	4,184	4,883	5,582	6,281
300"	764	1,471	2,179	2,886	3,610	4,334	5,058	5,782	6,506
312"	789	1,521	2,253	2,986	3,734	4,483	5,232	5,981	6,730
324"	814	1,571	2,328	3,085	3,859	4,633	5,407	6,180	6,954
336"	839	1,621	2,403	3,185	3,984	4,782	5,581	6,380	7,179
348"	864	1,671	2,478	3,285	4,108	4,932	5,756	6,579	7,403
360"	889	1,720	2,552	3,384	4,233	5,081	5,930	6,779	7,627

Please supply the exact finished measurement of the cover you need. The cover will be made to that exact size. Fabric Length is typically 12" longer than the projection to allow for roll-up.

REPLACEMENT FABRICS ONLY (SKINS)

Replacement Fabric Cover - 60" Fabric

	# OF PANELS							
	1	2	3	4	5	6	7	8
	WIDTH							
	57"	116"	175"	234"	293"	352"	411"	456"
12"	170	282	395	508	638	767	897	1,027
24"	197	336	476	616	773	929	1,086	1,242
36"	223	390	557	724	907	1,091	1,274	1,458
48"	250	444	638	832	1,042	1,253	1,463	1,673
60"	277	498	719	940	1,177	1,414	1,652	1,889
72"	304	552	800	1,047	1,312	1,576	1,840	2,105
84"	331	606	881	1,155	1,446	1,738	2,029	2,320
96"	358	660	961	1,263	1,581	1,899	2,218	2,536
108"	385	714	1,042	1,371	1,716	2,061	2,406	2,752
120"	412	768	1,123	1,479	1,851	2,223	2,595	2,967
132"	439	822	1,204	1,586	1,985	2,385	2,784	3,183
144"	466	875	1,285	1,694	2,120	2,546	2,972	3,398
156"	493	929	1,366	1,802	2,255	2,708	3,161	3,614
168"	520	983	1,447	1,910	2,390	2,870	3,350	3,830
180"	547	1,037	1,527	2,018	2,525	3,031	3,538	4,045
192"	574	1,091	1,608	2,125	2,659	3,193	3,727	4,261
204"	601	1,145	1,689	2,233	2,794	3,355	3,916	4,477
216"	628	1,199	1,770	2,341	2,929	3,517	4,104	4,692
228"	655	1,253	1,851	2,449	3,064	3,678	4,293	4,908
240"	682	1,307	1,932	2,557	3,198	3,840	4,482	5,123
252"	709	1,361	2,013	2,665	3,333	4,002	4,670	5,339
264"	736	1,414	2,093	2,772	3,468	4,163	4,859	5,555
276"	763	1,468	2,174	2,880	3,603	4,325	5,048	5,770
288"	789	1,522	2,255	2,988	3,737	4,487	5,236	5,986
300"	816	1,576	2,336	3,096	3,872	4,649	5,425	6,201
312"	843	1,630	2,417	3,204	4,007	4,810	5,614	6,417
324"	870	1,684	2,498	3,311	4,142	4,972	5,802	6,633
336"	897	1,738	2,579	3,419	4,276	5,134	5,991	6,848
348"	924	1,792	2,659	3,527	4,411	5,295	6,180	7,064
360"	951	1,846	2,740	3,635	4,546	5,457	6,368	7,280

Please supply the exact finished measurement of the cover you need. The cover will be made to that exact size. Fabric Length is typically 12" longer than the projection to allow for roll-up.



AWNING AUTOMATION SYSTEMS

Your beautiful new awning will enhance your outdoor living areas, add to the beauty and value of your home, help you save on summer cooling costs, protect your indoor furnishings and do it all with electronic ease when you motorize with a Somfy motor. Motors offer great convenience for anyone operating an awning. They allow you to quickly extend or retract the awning with minimal effort.



- STEIN
- KUMO
- ILIOS BASIC
- ILIOS RAY
- ILIOS WING

Manual Override Motor Systems (RTS)

Our Recommended Package!

This is a premium motor package that includes the motor complete with manual override. Sun Stopper Awnings™ are designed to offer sun protection which will enhance the enjoyment of outdoor spaces. They are not intended to be used as storm protection devices. Lateral Arm awnings need to be retracted in stormy conditions to prevent damage.

Unfortunately, there are times when power failures accompany severe weather conditions. A motorized awning that does not have a manual override motor can not be properly retracted during a power failure. The manual override feature serves as a good backup plan for bad weather situations. The manual override is available in Somfy CMO or for the RTS CMO radio control with manual override.

Motor available in 2 power ratings:
35 Nm
50 Nm



- STEIN
- KUMO
- ILIOS BASIC
- ILIOS RAY
- ILIOS WING

Radio Remote Control Motor Systems (RTS)






Somfy Altus RTS series is the basic radio remote control motor. A manual override version RTS CMO is also available. These motors can be activated with a remote control hand unit or with a radio sender wall switch that mounts inside the house like a regular switch but uses radio waves to activate the awnings eliminating the need for additional wiring. Controllers are available to operate more than one awning from a single controller.

Motor available in 3 power ratings:
25 Nm
35 Nm
50 Nm

MOTORIZATION



SOMFY LT50 RTS MOTORS

PARTS	DESCRIPTION	PRODUCT #	PRICE
	525A2 ALTUS RTS 12' Cord 3 Wire Pigtail Cable - 25 Nm	S 1043423	
	535A2 ALTUS RTS 12' Cord 3 Wire Pigtail Cable - 35 Nm	S 1038168	-
	550R2 ALTUS RTS 6' Cord 3 Wire Pigtail Cable - 50 Nm	S 1038170	
		6 ft. S 9021050	
		12 ft. S 9021051	
		18 ft. S 9021052	
		24 ft. S 9021053	
	535A2 RTS CMO 12' Cord 3 Wire Pigtail Cable - 35 Nm	S 1047306	
	550R2 RTS CMO 6' Cord 3 Wire Pigtail Cable - 50 Nm	S 1051012	
		6 ft. S ---	
		12 ft. S ---	
		18 ft. S ---	
		24 ft. S ---	
	Crown & Drive Set 78 mm tube	S 9012239	-
	Mounting Bracket	S 9910001	-

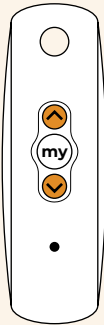


SOMFY LT50 RTS MOTORS

PARTS	DESCRIPTION	PRODUCT #	PRICE
	Manual Override Kit with Mounting Bracket	S 9012348	-
	Eolis 3D Wirefree RTS Wind/Motion Sensor White Black	S 1816081 S 1816082	-
	Telis 1 Transmitter OR Situo Pure (coming soon)	S 1870571	-
	Telis 4 Transmitter OR Situo 5 Pure (coming soon)	S 1870575	-
	Patio 1 Waterproof Transmitter	S 1810643	-
	Patio 4 Waterproof Transmitter	S 1810645	-

PROGRAMMING GUIDE

SOMFY LT50 ALTUS RTS MOTORS PROGRAMMING MODE



STEP 1

To initiate programming press both and at the same time until the motor jogs.

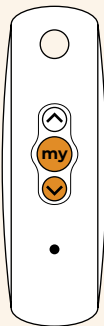
In programming mode the motor operates in momentary fashion.



STEP 2

Check directions by pressing or . The motor will be in momentary fashion.

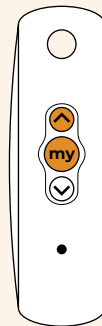
When pressing product should go down or out. To change direction, press and hold (STOP) until the motor jogs.



STEP 3

Bring the motor to desired upper limit. Press both (STOP) and until the motor moves, then release. If the motor stops when the buttons are released, take it back to the upper limit and repeat.

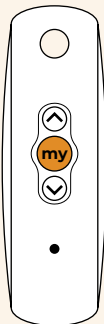
Stop the motor where desired. You can adjust by pressing or . The lower limit will be set.



STEP 4

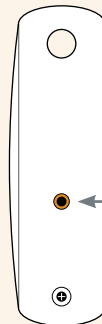
Press both (STOP) and until the motor moves, then release. If the motor stops when the buttons are released, take it back to the upper limit and repeat.

The motor will stop at the original upper reference point. You can adjust by pressing or .



STEP 5

Press and hold (STOP) until the motor jogs to confirm the limit settings.

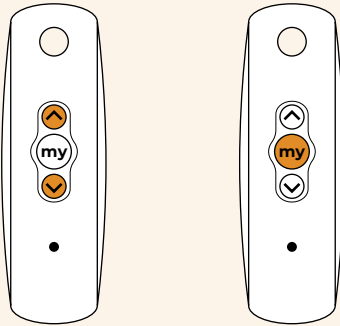


STEP 6

Press and hold the programming button on the back of the transmitter until the motor jogs. It will now operate in a maintained fashion (user mode).

Double check limit settings as a precaution.

SOMFY LT50 ALTUS RTS MOTORS TO ADJUST THE LIMITS IN USER MODE



TO CHANGE THE LOWER LIMIT

Send the motor to its current lower limit.

Press both and at the same time until the motor jogs. Adjust to a new lower limit position. Press until the motor jogs.

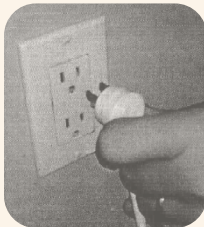
TO CHANGE THE UPPER LIMIT

Send the motor to its current upper limit.

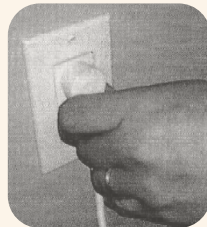
Press both and at the same time until the motor jogs. Adjust to a new upper limit position. Press until the motor jogs.

RESETTING THE MOTOR TO FACTORY SETTINGS

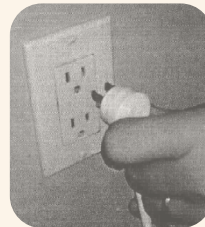
DUAL POWER CUT



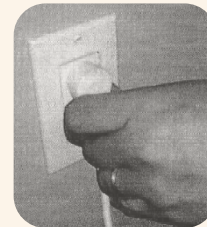
STEP 1
2 seconds.



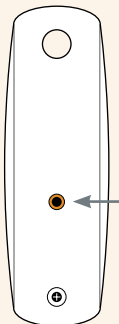
STEP 2
10 seconds.



STEP 3
2 seconds.



STEP 4
Motor starts to move.



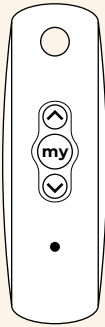
STEP 5

When the motor stops, press and hold the programming button of any transmitter until the motor jogs **four** times.

Do not release the programming button until the jogging is complete or you will have to start the dual power cut from the beginning.

PROGRAMMING GUIDE

SOMFY LT50 CMO RTS MOTORS PROGRAMMING MODE





STEP 1

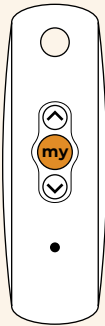
Depress both limit setting buttons on the head of the CMO motor.

In programming mode the motor operates in momentary fashion.

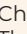
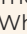
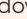



STEP 2

To initiate programming press both  and  at the same time until the motor jogs.



STEP 3

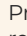
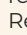
Check directions by pressing  or . The motor will be in momentary fashion. When pressing  product should go down or cut.

To change direction, press and hold  (STOP) until the motor jogs.

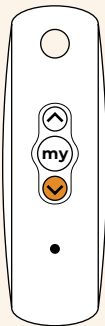


STEP 4

Upper Limit Setting

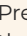
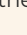
Press and hold  until the motor reaches the desired upper position. Release .

Release the upper limit button on the head of the CMO motor.

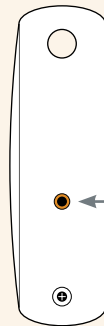


STEP 5

Lower Limit Setting

Press and hold  until the motor reaches the desired lower position. Release .

Release the lower limit button on the head of the CMO motor.



STEP 6

User Mode Setting

Press and hold the programming button on the back of the transmitter until the motor jogs. It will now operate in a maintained fashion (user mode).

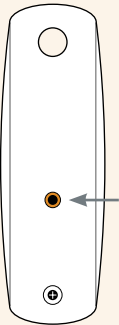
Double check limit settings as a precaution.

Note: CMO RTS Motors are designed for Awning and Rolling Shutter applications only.

SOMFY LT50 CMO RTS MOTORS TO ADD/DELETE A TRANSMITTER OR CHANNEL

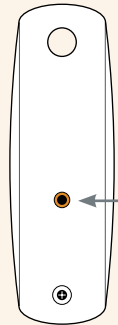


ADDING A TRANSMITTER OR CHANNEL



STEP 1
Using already programmed transmitters, select the transmitter (single channel) or the channel, (1-4 or all) of a multi-channel transmitter, for which you want to add a transmitter or channel.

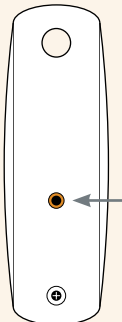
STEP 2
Press and hold the programming button of the programmed transmitter until the motor jogs.



STEP 3
Select the transmitter (single channel) or the channel, (1-4 or all) of a multi-channel transmitter, to be added.

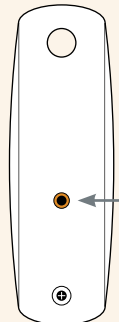
STEP 4
Press and hold the programming button of the new transmitter until the motor jogs.
A new channel/transmitter is now added to motor memory and can be used to operate motor.

DELETING A TRANSMITTER OR CHANNEL



STEP 1
Using already programmed transmitters, select the transmitter (single channel) or the channel, (1-4 or all) of a multi-channel transmitter, you want to delete.

STEP 2
Press and hold the programming button of the programmed transmitter until the motor jogs.



STEP 3
Select the transmitter (single channel) or the channel, (1-4 or all) of a multi-channel transmitter, to be deleted.

STEP 4
Press and hold the programming button of the transmitter until the motor jogs.
A channel/transmitter is now deleted from motor memory and will not operate motor.

FABRIC PROTECTORS & CLEANERS

303 FABRIC CLEANER™

303 Fabric Cleaner™ can get even the heaviest cleaning jobs done safely, without caustic chemicals or solvents. 303's new technology cleaner is powerful enough for heavy degreasing, yet safe enough to wash fruits and vegetables. This product contains no soaps, detergents or solvents. Full strength or at a recommended dilution for a particular cleaning job, 303 Fabric Cleaner™ is your best and safest cleaning option.

Non-hazardous, non-toxic, non-flammable, non-foaming, non-caustic, non-fuming, odourless. Meets or exceeds EPA standards for biodegradability. Safe for all water- safe materials. Rinses residue free.



PRODUCT #	REFILL	UNIT
S 8456	32 ounces	8 per case

303 HIGH TECH FABRIC GUARD™

The world's most powerful, longest lasting fabric & carpet protector. It repels grease, dirt, water and oil based stains on all natural and synthetic fabrics.

Specifically formulated for fabrics and carpeting exposed to the sun. Double UV sunscreen for maximum fade protection. Professional strength, ready-to-use formula guaranteed safe and effective on all fabrics - non-toxic and odourless when dry. Available in 16 oz. pump and 3.78 litre refill.

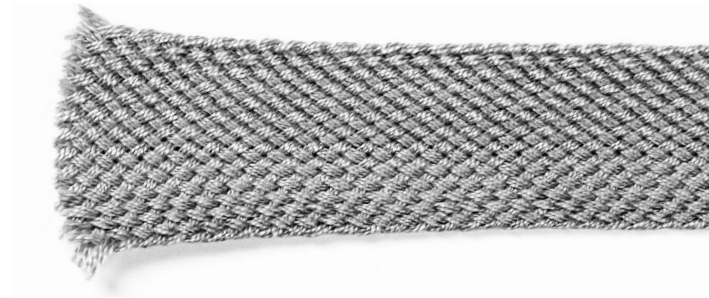


PRODUCT #	REFILL	UNIT
S 8455	16 ounces	12 per case
S 8454	1 gallon	4 per case

AWNING BRAID

- 100% Solution Dyed Acrylic
- Width: 1³/₁₆" wide
- 144 yards per roll (132 meters)

Due to the printing process these colours should not be considered exact matches. To get an exact shade refer to the sample card or the actual product. The finished braid may be a slightly different shade due to weaving and yarn size differences.



S 4361-4633
LINEN



S 4361-4628
TOAST



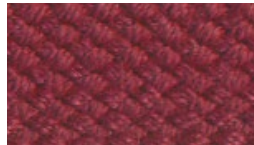
S 4361-4620
BEIGE



S 4361-4648
TAUPE



S 4361-4621
BROWN



S 4361-4631
BURGUNDY



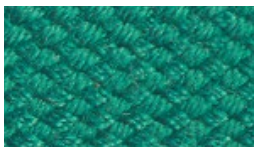
S 4361-4622
TERRACOTTA



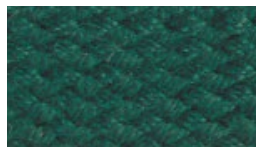
S 4361-4603
RED



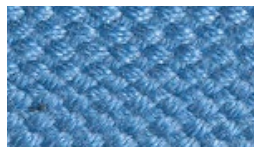
S 4361-4602
YELLOW



S 4361-4600
GREEN



S 4361-4627
FOREST



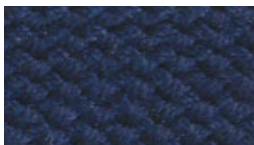
S 4361-4624
SKY BLUE



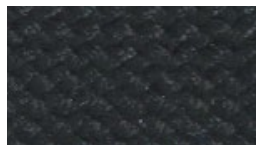
S 4361-4601
PACIFIC BLUE



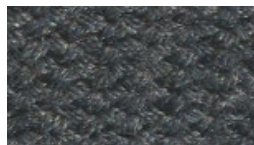
S 4361-4646
CAPTAIN NAVY



S 4361-4626
NAVY



S 4361-4608
BLACK



S 4361-4644
CHARCOAL



S 4361-4630
GREY



S 4361-4604
NATURAL



S 4361-4630
GREY

ORDER INSTRUCTIONS

LATERAL ARM AWNINGS



Measurement

We strongly suggest that all measuring and installation be done by a trained professional installer. We do not supply any fasteners for mounting these awnings. It is the responsibility of the installer to select the fasteners best suited for the specific installation. Complete the order form found on the inside back cover and mail, fax or drop off at your nearest Jackson distribution centre.

Width (Stein)

Fill in the Tip-to-Tip measurement in inches. That is outside end cap to outside end cap. The awning will be made to the size ordered. Normal tolerance is $\pm 1/2"$. Fabric dimension is less than the tip-to-tip measurement by approx. 5". The variation is approximately 3" on the control end and 2" on the idle end. The front bar is cut approx. $1/4"$ wider than the fabric. The Hood, if required, is approximately 1" wider than the tip to tip measurement of the awning.

Width (Kumo)

Get and securely install brackets in advance. Measure the distance from outside of bracket to outside of bracket and add $3/4"$. Fill in the Tip-to-Tip measurement in inches. That is outside end cap to outside end cap. The awning will be made to the size ordered. Normal tolerance is $\pm 1/2"$. Fabric dimension is less than the tip-to-tip measurement by approx. 8". The variation is approximately 4" on the control end and 4" on the idle end. The front bar is cut approx. $1/4"$ wider than the fabric. The Hood, if required, is approximately 1" wider than the tip to tip measurement of the awning.

Projection

No custom projections. Select from the projections listed.

Fabric

Supply the pattern name and colour number.

Crank Length

No custom sizes.

Valance

Select a valance length of 8", 10" or 12" long. There is no extra charge for the valance (Stein only).

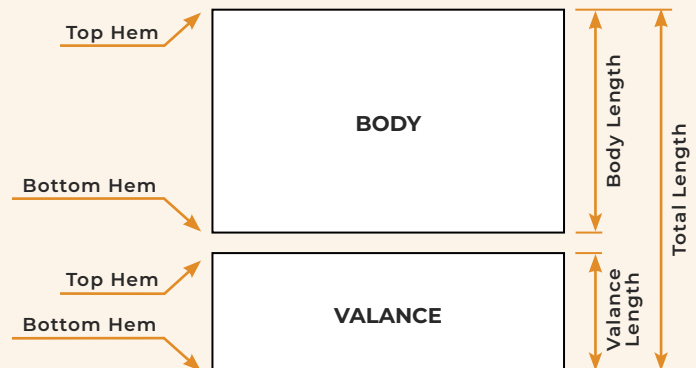
Braid Colour

No extra charge for braid. Braid is optional on plain hem valances but is required on scalloped valances. Refer to the sample card for colours.

Fabrics Only (Skins)

We will supply these as 1 piece or as 2 pieces, provided that the second piece is a small valance with a maximum length of 18" and is the same width as the large piece. The large main piece is called the body, and the smaller piece is called the valance. The price will be determined by the total length of the 2 pieces.

We also will allow you to specify the hem type for the side hems as well as the top and bottom hems on each piece of fabric.



We do not supply any fasteners for mounting these awnings. It is the responsibility of the installer to select the fasteners best suited for the specific installation.



LATERAL ARM AWNING ORDER FORM

Dealer Name: _____

Address: _____

Tag/P.O.: _____ Date: _____

All measuring and installation must be done by a trained, professional installer.

STEIN
 Lateral Arm, Torsion Bar System

Qty: _____

Frame Colour: White Graphite

Pattern & Colour: _____
 (or "Frame Only")

Width: _____
 (in inches)

Projection: 46" 84" 124"
 64" 104" 143"

Hood: Yes No

Valance: 8" Plain 12" Plain
 10" Plain 12" Scallop

Braid Colour on Valance: _____
 (required on Scallop Hem, optional on Plain Hem)

Manual Crank
 Crank Side: Left Right
 Crank Size: 50" 71" 98"

Motorized
 Motor Type: Altus RTS CMO RTS
 Motor Side: Left Right
 Motor Cable Length: 6 ft. 18 ft.
 10 ft. 24 ft.
 Controller: Telis 1 Patio 1
 Telis 4 Patio 4
 Wind Sensor: (Eolis 3D Wire Free RTS) Yes No

KUMO
 Lateral Arm, Cassette System

Qty: _____

Frame Colour: White Graphite

Pattern & Colour: _____
 (or "Frame Only")

Width: _____
 (in inches)

Projection: 46" 84" 124"
 64" 104"

Manual Crank
 Crank Side: Left Right
 Crank Size: 50" 71" 98"

Motorized
 Motor Side: Left Right
 Motor Cable Length: 6 ft. 18 ft.
 10 ft. 24 ft.
 Controller: Telis 1 Patio 1
 Telis 4 Patio 4
 Wind Sensor: (Eolis 3D Wire Free RTS) Yes No

NOTES

Dealer Signature: _____

FABRIC ONLY

Qty: _____

Pattern & Colour: _____

Width: _____
 (in inches, maximum 456")

Body Length: _____ Val. Length: _____ Total Length: _____
 (Body should be significantly longer than projection, depending on your system, typically at least 12". Maximum valance size is 18". Total Length is used for pricing.)

Sides: Hem Open

Body Top: Hem (w/ welt) Hem (no welt) Open

Body Bottom: Hem (w/ welt) Hem (no welt) Open
 Scallop Braid: _____

Valance Top: Hem (w/ welt) Hem (no welt) Open

Valance Bottom: Hem (w/ welt) Hem (no welt) Open
 Scallop Braid: _____

ORDER INSTRUCTIONS

DROP SHADE AWNINGS

Measurement

We strongly suggest that all measuring and installation be done by a trained professional installer. We do not supply any fasteners for mounting these awnings. It is the responsibility of the installer to select the fasteners best suited for the specific installation. Complete the order form found on the inside back cover and mail, fax or drop off at your nearest Jackson distribution centre.

Width

Fill in the Tip-to-Tip measurement in inches. That is outside end cap to outside end cap. The drop shade will be made to the size ordered. Normal tolerance is $\pm 1/2"$. Fabric dimension is less than the tip-to-tip measurement.

ILIOS BASIC: The variation is approximately $2 1/2"$ on the control end and $2 1/2"$ on the idle end.

ILIOS RAY: The variation is approximately $3 1/4"$ on the control end and $3 1/4"$ on the idle end.

ILIOS WING: The variation is approximately $2 1/2"$ on the control end and $2 1/2"$ on the idle end.

Fabric

Supply the pattern name and colour number.

Crank Length

Choose from the sizes listed.

Motors

All drop shades use the Altus 25 Nm motor.

We do not supply any fasteners for mounting these awnings. It is the responsibility of the installer to select the fasteners best suited for the specific installation.



DROP SHADE AWNING ORDER FORM

Dealer Name: _____

Address: _____

Tag/P.O.: _____ Date: _____

All measuring and installation must be done by a trained, professional installer.

ILIOS BASIC
Drop Shade

Qty: _____

Frame Colour: White Graphite

Pattern & Colour: _____
(or "Frame Only")

Width: _____ (in inches) Drop: _____ (in inches)

Mount: Wall Ceiling

Manual Crank
Crank Side: Left Right
Crank Size: 50" 71" 98"

Motorized
Motor Side: Left Right
Motor Cable Length: 6 ft. 18 ft. 10 ft. 24 ft.
Controller: Telis 1 Patio 1 Telis 4 Patio 4

ILIOS RAY
Drop Shade with Cassette

Qty: _____

Frame Colour: White Graphite

Pattern & Colour: _____
(or "Frame Only")

Width: _____ (in inches) Drop: _____ (in inches)

Mount: Wall Ceiling

Manual Crank
Crank Side: Left Right
Crank Size: 50" 71" 98"

Motorized
Motor Side: Left Right
Motor Cable Length: 6 ft. 18 ft. 10 ft. 24 ft.
Controller: Telis 1 Patio 1 Telis 4 Patio 4

NOTES

ILIOS WING
Drop Arm Shade

Qty: _____

Frame Colour: White Graphite

Pattern & Colour: _____
(or "Frame Only")

Width: _____ (in inches)

Projection: 0.80 Arm 1.20 Arm 1.60 Arm

Mount: Wall Ceiling

Manual Crank
Crank Side: Left Right
Crank Size: 50" 71" 98"

Motorized
Motor Side: Left Right
Motor Cable Length: 6 ft. 18 ft. 10 ft. 24 ft.
Controller: Telis 1 Patio 1 Telis 4 Patio 4

Dealer Signature: _____

WINNIPEG


 1139 McDermot Avenue
Winnipeg, MB R3E 0V2


 (204) 786-3821 / 1-800-655-8978


 (204) 788-2456 / 1-800-665-1423


 winnipeg@jackson.ca

MISSISSAUGA


 3236 Wharton Way
Mississauga, ON L4X 2C1


 (905) 238-3369 / 1-800-565-4671


 (905) 238-4859 / 1-800-898-4137


 toronto@jackson.ca

CALGARY


 2120-39th Avenue NE
Calgary, AB T2E 6P7


 (403) 291-2004 / 1-800-242-3104


 (403) 291-1595 / 1-800-242-3181


 calgary@jackson.ca

VANCOUVER

 600 Derwent Way (Annacis Island)
Delta, BC V3M 5P8

 (604) 522-3600 / 1-800-663-1369

 (604) 522-4471 / 1-800-663-3736

 vancouver@jackson.ca